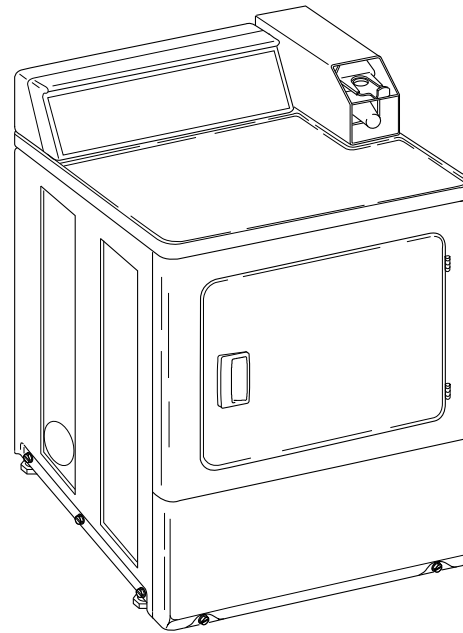


Clothes Dryer

Nonmetered and metered
Electric and Gas Models



D677L_SVG

Original Instructions

Keep These Instructions for Future Reference.

CAUTION: Read the instructions before using the machine.

(If this machine changes ownership, this manual must accompany machine.)



WARNING



WARNING



Risk of fire. Highly flammable material.

W881



Read all instructions before using unit.



WARNING

FOR YOUR SAFETY, the information in this manual must be followed to minimize the risk of fire or explosion or to prevent property damage, personal injury or death.

W033



WARNING

- Do not store or use gasoline or other flammable vapors and liquids in the vicinity of this or any other appliance.
- **WHAT TO DO IF YOU SMELL GAS:**
 - Do not try to light any appliance.
 - Do not touch any electrical switch; do not use any phone in your building.
 - Clear the room, building or area of all occupants.
 - Immediately call your gas supplier from a neighbor's phone. Follow the gas supplier's instructions.
 - If you cannot reach your gas supplier, call the fire department.
- Installation and service must be performed by a qualified installer, service agency or the gas supplier.

W052

IMPORTANT: Purchaser must consult the local gas supplier for suggested instructions to be followed if the dryer user smells gas. The gas utility instructions plus the SAFETY and WARNING note directly above must be posted in a prominent location near the dryer for customer use.



WARNING

- Installation of unit must be performed by a qualified installer.
- Install clothes dryer according to manufacturer's instructions and local codes.
- **DO NOT** install a clothes dryer with flexible plastic venting materials. If flexible metal (foil type) duct is installed, it must be of a specific type identified by the appliance manufacturer as suitable for use with clothes dryers. Refer to section on connecting exhaust system. Flexible venting materials are known to collapse, be easily crushed, and trap lint. These conditions will obstruct clothes dryer airflow and increase the risk of fire.

W729R1



WARNING

To reduce the risk of severe injury or death, follow all installation instructions. Save these instructions.

W894



WARNING

FOR YOUR SAFETY

Do not store or use gasoline or other flammable vapors and liquids in the vicinity of this or any other appliance.

W053

This product uses FreeRTOS V7.2.0 (www.freertos.org).

Table of Contents

Safety Information.....	6
Explanation of Safety Messages.....	6
Important Safety Instructions.....	6
Dimensions.....	8
Installation.....	13
Before You Start.....	13
Tools.....	13
Card Reader Models.....	13
Order of Installation Steps.....	13
Position and Level the Dryer.....	14
Connect Dryer Exhaust System.....	16
Exhaust Direction.....	17
Exhaust System.....	18
Multi-Dryer Installation Exhaust Requirements.....	18
Gas Dryers - Connect Gas Supply Pipe.....	21
Reverse Door, if Desired.....	23
Wipe Out Inside of Dryer.....	24
Plug In the Dryer.....	24
Recheck Steps.....	30
Check Heat Source.....	30
Electric Dryers.....	30
Gas Dryers.....	30
Vending.....	31
Meter Case.....	31
Coin Slide and Non-Metered Models.....	31
Setting Dry Time Dipswitches.....	32
Dipswitch Settings.....	33
Test Setting.....	35
Slide Extension Assembly.....	35
Additional Security.....	37
Operation.....	39
Operation Instructions for Nonmetered and Coin Slide Dryers.....	39
Clean Lint Filter.....	39
Load Laundry.....	39
Close Loading Door.....	39
Set Fabric Selector.....	39
Start Dryer.....	39
Operation Instructions for MDC Dryers.....	40

© Copyright 2019, Alliance Laundry Systems LLC


All rights reserved. No part of the contents of this book may be reproduced or transmitted in any form or by any means without the expressed written consent of the publisher.


Clean Lint Filter.....	40
Load Laundry.....	40
Close Loading Door.....	41
Set Fabric Selector.....	41
Insert Coins or Card.....	41
Start Dryer.....	41
Indicator Lights.....	42
Maintenance.....	43
Lubrication.....	43
Care of Your Dryer.....	43
Dryer Interior.....	43
Cabinet.....	43
Control Panel.....	43
Exhaust System.....	43
Lint Filter.....	43
Motor Overload Protector.....	44
For Energy Conservation.....	44
Troubleshooting.....	45
Contact Information.....	47
Installer Checklist.....	48


Safety Information

Explanation of Safety Messages

Precautionary statements (“DANGER,” “WARNING,” and “CAUTION”), followed by specific instructions, are found in this manual and on machine decals. These precautions are intended for the personal safety of the operator, user, servicer, and those maintaining the machine.

	DANGER
Indicates an imminently hazardous situation that, if not avoided, will cause severe personal injury or death.	

	WARNING
Indicates a hazardous situation that, if not avoided, could cause severe personal injury or death.	

	CAUTION
Indicates a hazardous situation that, if not avoided, may cause minor or moderate personal injury or property damage.	


Additional precautionary statements (“IMPORTANT” and “NOTE”) are followed by specific instructions.

IMPORTANT: The word “IMPORTANT” is used to inform the reader of specific procedures where minor machine damage will occur if the procedure is not followed.

NOTE: The word “NOTE” is used to communicate installation, operation, maintenance or servicing information that is important but not hazard related.

Important Safety Instructions

Save These Instructions

	WARNING
To reduce the risk of fire, electric shock, serious injury or death to persons when using your dryer, follow these basic precautions:	
W130	

- Read all instructions before using the dryer.

- Install this dryer according to the INSTALLATION INSTRUCTIONS. Refer to the EARTH/GROUND INSTRUCTIONS in the INSTALLATION manual for the proper earth/ground connection of the dryer. All connections for electrical power, earth/ground and gas supply must comply with local codes and be made by licensed personnel when required. Do not do it yourself.
- Do not install or store the dryer where it will be exposed to water and/or weather.
- Do not dry articles that have been previously cleaned in, washed in, soaked in, or spotted with gasoline or machine oils, vegetable or cooking oils, cleaning waxes or chemicals, dry-cleaning solvents, thinner, anything containing chemicals such as in mops and cleaning cloths, or other flammable or explosive substances as they give off vapors that could ignite, explode or cause fabric to catch on fire by itself.
- Do not place items exposed to cooking oils in your dryer. Items contaminated with cooking oils may contribute to a chemical reaction that could cause a load to catch fire. To reduce the risk of fire due to contaminated loads, the final part of a tumble dryer cycle occurs without heat (cool down period). Avoid stopping a tumble dryer before the end of the drying cycle unless all items are quickly removed and spread out so that the heat is dissipated.
- Items that have been soiled with substances such as cooking oil, acetone, alcohol, petrol, kerosene, spot removers, turpentine, waxes and wax removers, should be washed in hot water with an extra amount of detergent before being dried in the tumble dryer.
- To reduce the risk of fire, DO NOT DRY plastics or articles containing foam or latex rubber or similarly textured rubber-like materials, such as shower caps, water proof textiles, rubber-backed articles, and clothes or pillows filled with foam rubber pads.
- Do not tumble fiberglass curtains and draperies unless the label says it can be done. If they are dried, wipe out the cylinder with a damp cloth to remove particles of fiberglass.
- Do not allow children to play on or in the dryer. Close supervision of children is necessary when the dryer is used near children. This appliance is not intended for use by persons (including children) with reduced physical, sensory or mental capabilities, or lack of experience and knowledge, unless they have been given supervision or instruction concerning the use of the appliance by a person responsible for their safety. This is a safety rule for all appliances.
- Cleaning and user maintenance shall not be made by children without supervision.
- Children less than three years should be kept away unless continuously supervised.
- Do not reach into the dryer if the cylinder is revolving.
- Use the dryer only for its intended purpose, drying clothes. ALWAYS follow the fabric care instructions supplied by the

garment manufacturer and only use the dryer drum to dry textiles that have been washed in water.

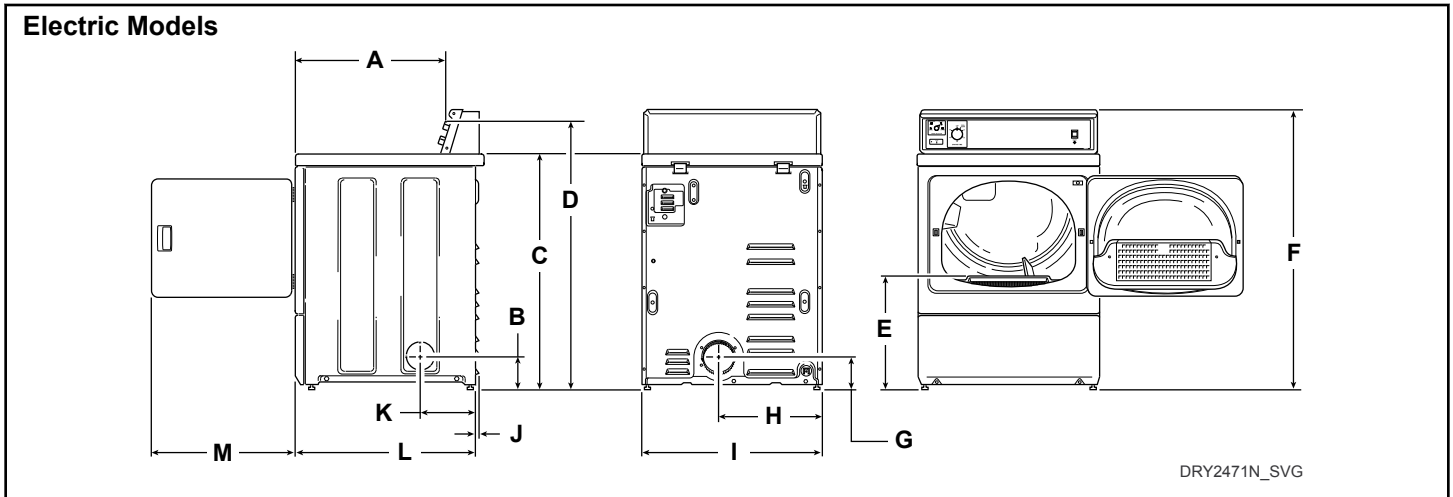
- Always read and follow manufacturer's instructions on packages of laundry and cleaning aids. Heed all warnings or precautions. To reduce the risk of poisoning or chemical burns, keep them out of reach of children at all times (preferably in a locked cabinet).
- Do not use fabric softeners or products to eliminate static unless recommended by the manufacturer of the fabric softener or product.
- Remove laundry immediately after the dryer stops.
- DO NOT operate the dryer if it is smoking, grinding or has missing or broken parts or removed guards and/or panels. DO NOT tamper with the controls or bypass any safety devices.
- DO NOT operate individual units if they have been separated from a stack unit.
- Dryer will not operate with the loading door open. DO NOT bypass the door safety switch by permitting the dryer to operate with the door open. The dryer will stop tumbling when the door is opened. Do not use the dryer if it does not stop tumbling when the door is opened or starts tumbling without pressing the START mechanism. Remove the dryer from use and call the service person.
- ALWAYS clean the lint filter after every load. A layer of lint in the filter reduces drying efficiency and prolongs drying time. Keep area around the exhaust opening and adjacent surrounding area free from the accumulation of lint, dust and dirt. The interior of the dryer and the exhaust duct should be cleaned periodically by qualified service personnel.
- Do not repair or replace any part of the dryer, or attempt any servicing unless specifically recommended in the user-maintenance instructions or in published user-repair instructions that you understand and have the skills to carry out. ALWAYS disconnect the electrical power to the dryer before attempting service. Disconnect the power cord by grasping the plug, not the cord.
- If supply cord is damaged, it must be replaced by the manufacturer, its service agent or similarly qualified persons in order to avoid a hazard.
- Before the dryer is removed from service or discarded, remove the door to the drying compartment.
- Failure to install, maintain, and/or operate this machine according to the manufacturer's instructions may result in conditions which can produce bodily injury and/or property damage.

NOTE: The WARNING and IMPORTANT SAFETY INSTRUCTIONS appearing in this manual are not meant to cover all possible conditions and situations that may occur. Observe and be aware of other labels and precautions that are located on the machine. They are intended to provide instruction for safe use of the machine. Common sense, caution and care must be exercised when installing, maintaining, or operating the dryer.

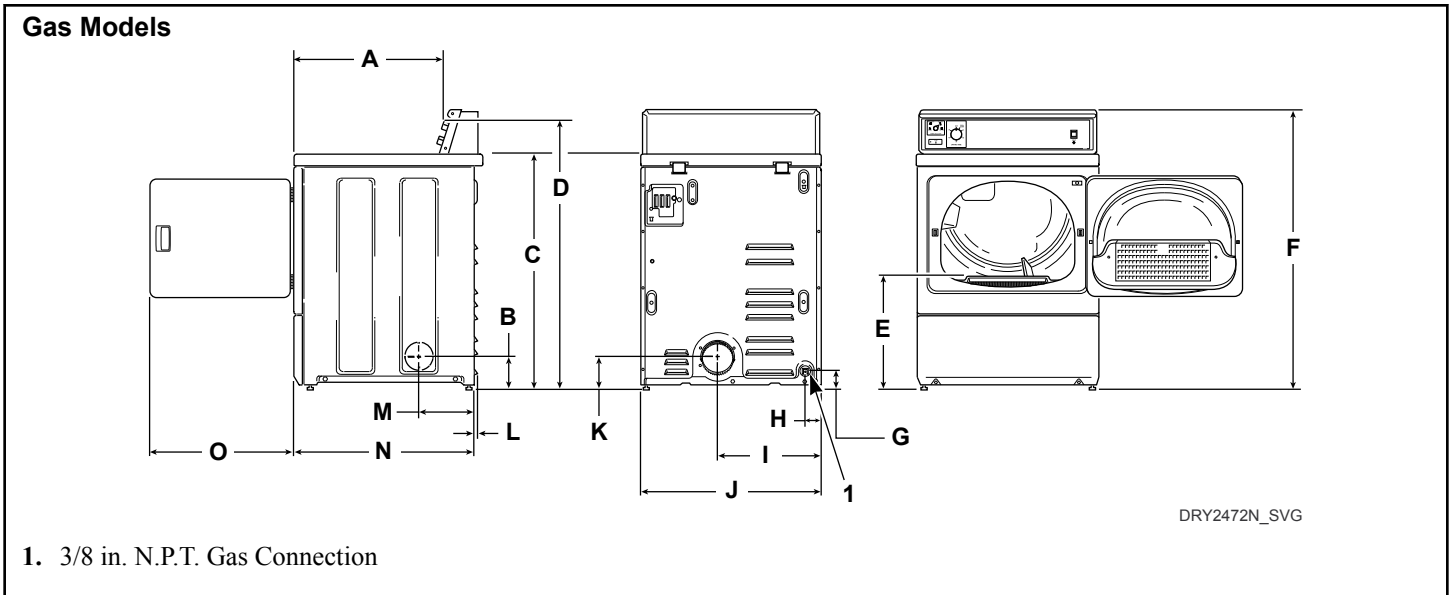
Always contact your dealer, distributor, service agent or the manufacturer about any problems or conditions you do not understand.

Dimensions

Nonmetered Models

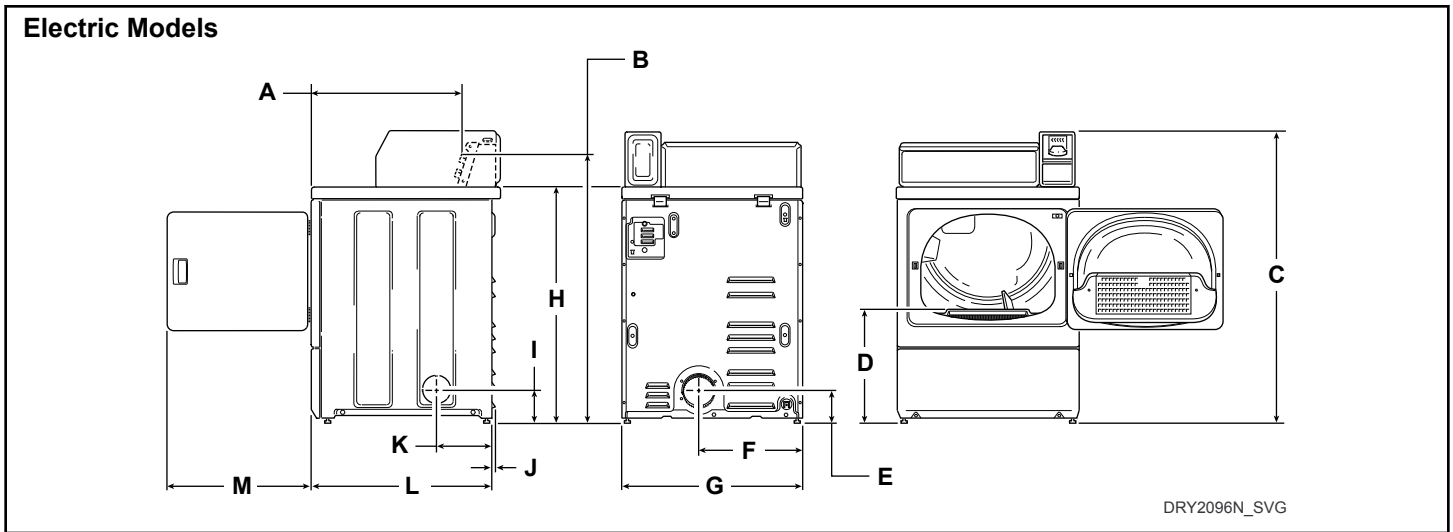


A	548 mm [21.56 in.]
B	*114 mm [4.5 in.]
C	*914 mm [36 in.]
D	*1020 mm [40.19 in.]
E	*392 mm [15.44 in.]
F	*1092 mm [43 in.]
G	102 mm [4.0 in.]
H	391 mm [15.4 in.]
I	683 mm [26.875 in.]
J	10 mm [0.4 in.]
K	203 mm [8 in.]
L	711 mm [28 in.]
M	597 mm [23.5 in.]
NOTE: Exhaust openings are 102 mm [4 inch] metal ducting.	* With leveling legs turned into base.

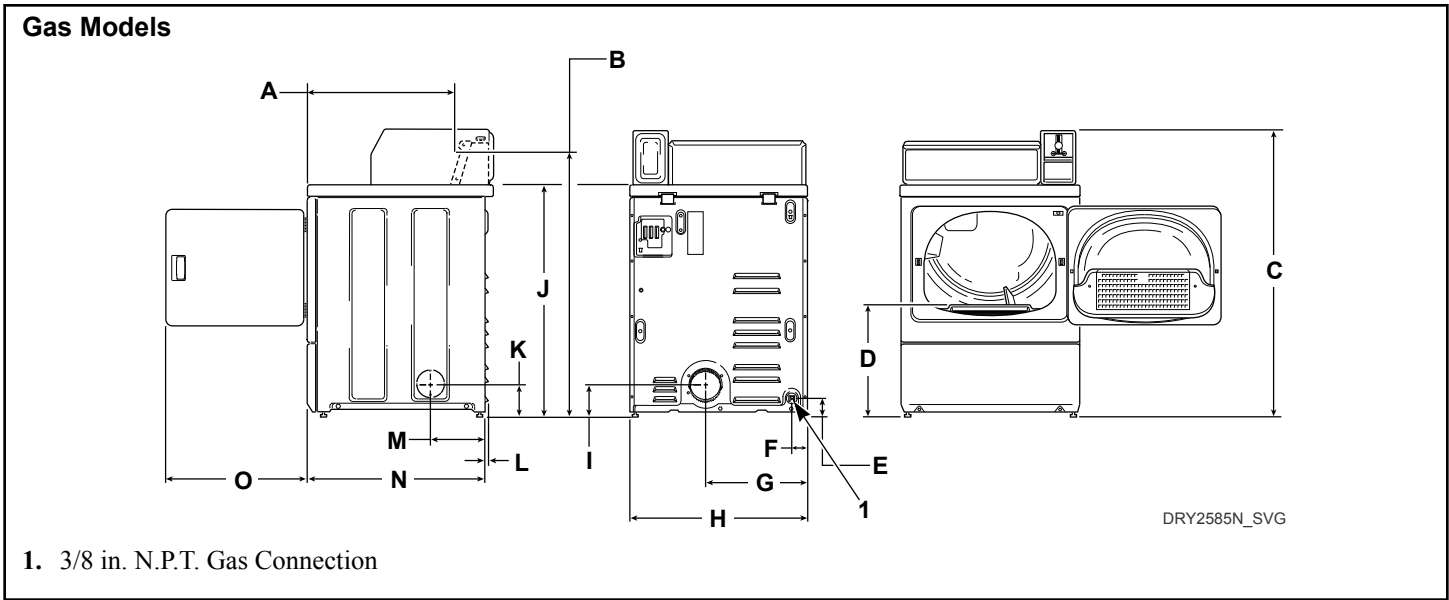


A	548 mm [21.56 in.]
B	*114 mm [4.5 in.]
C	*914 mm [36 in.]
D	*1020 mm [40.19 in.]
E	*392 mm [15.44 in.]
F	*1092 mm [43 in.]
G	*70 mm [2.8 in.]
H	60 mm [2.3 in.]
I	391 mm [15.4 in.]
J	683 mm [26.875 in.]
K	102 mm [4 in.]
L	10 mm [0.4 in.]
M	203 mm [8 in.]
N	711 mm [28 in.]
O	597 mm [23.5 in.]
NOTE: Exhaust openings are 102 mm [4 inch] metal ducting.	* With leveling legs turned into base.

Metered Models



A - Coin Slide Models	548 mm [21.56 in.]
A - Electronic Control Models	560 mm [22.06 in.]
B - Coin Slide Models	*1020 mm [40.19 in.]
B - Electronic Control Models	970 mm [38.19 in.]
C - Standard Capacity Metercase	*1092 mm [43 in.]
C - High Capacity Metercase	1114 mm [43.875 in.]
D	*392 mm [15.44 in.]
E	102 mm [4.0 in.]
F	391 mm [15.4 in.]
G	683 mm [26.875 in.]
H	*914 mm [36 in.]
I	*114 mm [4.5 in.]
J	10 mm [0.4 in.]
K	203 mm [8.0 in.]
L	711 mm [28 in.]
M	597 mm [23.5 in.]
NOTE: Exhaust openings are 102 mm [4 inch] metal ducting.	* With leveling legs turned into base.



A - Coin Slide Models	548 mm [21.56 in.]
A - Electronic Control Models	560 mm [22.06 in.]
B - Coin Slide Models	*1020 mm [40.19 in.]
B - Electronic Control Models	970 mm [38.19 in.]
C - Standard Capacity Meter Case	*1092 mm [43 in.]
C - High Capacity Meter Case	*1114 mm [43.875 in.]
D	*392 mm [15.44 in.]
E	*70 mm [2.8 in.]
F	60 mm [2.3 in.]
G	391 mm [15.4 in.]
H	683 mm [26.875 in.]
I	*102 mm [4.0 in.]
J	*914 mm [36 in.]
K	*114 mm [4.5 in.]
L	10 mm [0.4 in.]
M	203 mm [8 in.]
N	711 mm [28 in.]
O	597 mm [23.5 in.]
NOTE: Exhaust openings are 102 mm [4 inch] metal ducting.	* With leveling legs turned into base.

NOTE: Gas models cannot be vented out left side of cabinet because of burner housing.

NOTE: The dryer should have sufficient clearance around it for needed ventilation and for the ease of installation and servicing. For maximum drying performance, we recommend that more clearance be allowed around the dryer than the clearances that are listed throughout this manual.

Installation

Before You Start

Tools

For most installations, the basic tools you will need are:

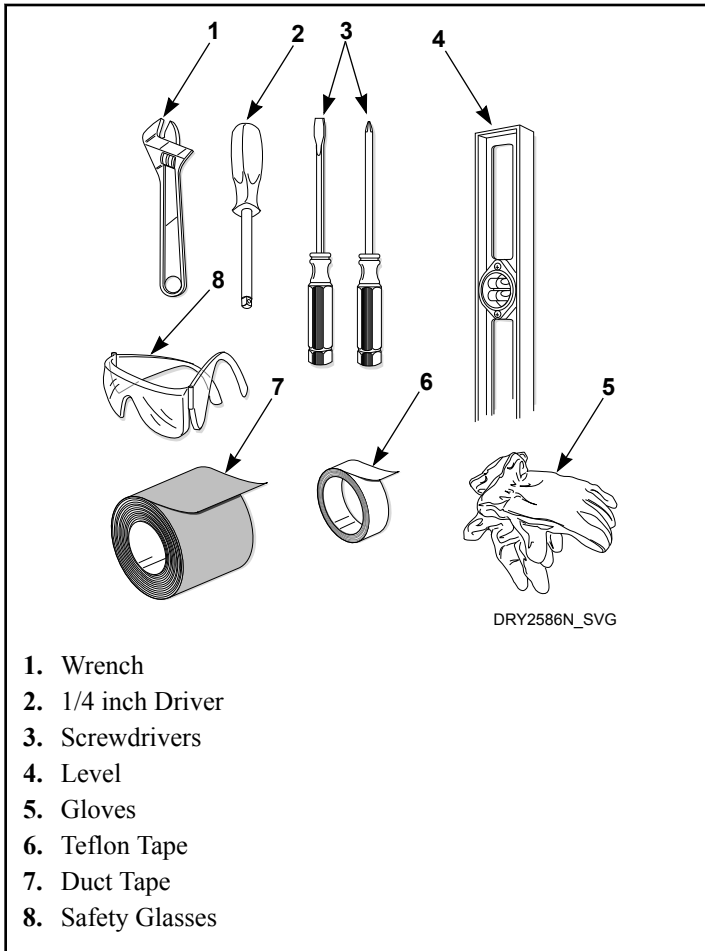


Figure 1

NOTE: An 203 mm [8 in.] coin drawer is required for coin drop operated models.

NOTE: This appliance is suitable for use in countries having a warm, damp climate.

	WARNING
Any disassembly requiring the use of tools must be performed by a suitably qualified service person.	
W299	

Card Reader Models

The machine is shipped from the factory with the Electronic Control Diagnostic Harness Assembly unplugged. To avoid unauthorized manual programming or vending, perform the following steps.

1. Open service door. Refer to *Figure 2*.
2. Locate diagnostic harness on electronic control.
3. Plug connectors for “white/black” wire and “red/blue” wire together.

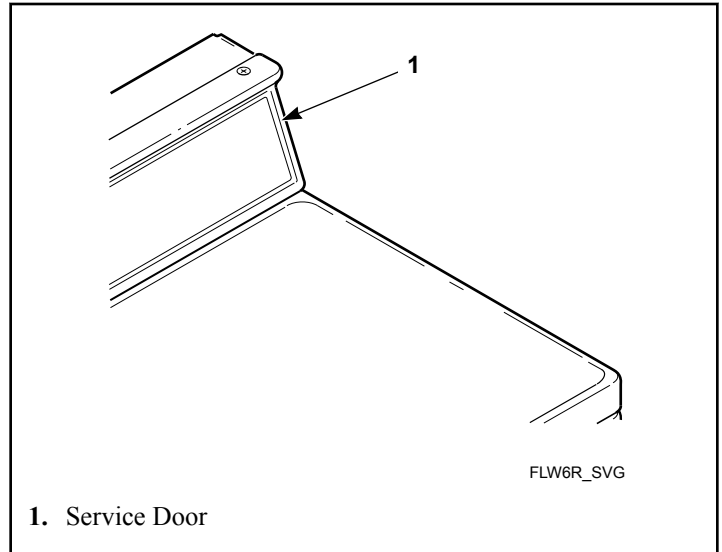


Figure 2

	WARNING
Any disassembly requiring the use of tools must be performed by a suitably qualified service person.	
W299	

Order of Installation Steps

1. Position and level the dryer.
2. Connect dryer to exhaust system.
3. For gas models only, connect the gas supply pipe. Check for gas leaks.
4. Reverse the door, if desired.
5. Wipe out the inside of the dryer.
6. Plug in the dryer.
7. Recheck steps.
8. Start and run the dryer in a heat setting to verify dryer is heating.

Position and Level the Dryer

1. Install dryer before washer. This allows room for attaching exhaust duct.
2. Install the four rubber feet (in accessories bag).
3. Select a location with a solid floor. Dryers installed in residential garages must be elevated 457 mm [18 inches] above the floor.

No other fuel burning appliance should be installed in the same closet with the dryer.

The dryer must not be installed or stored in an area where it will be exposed to water and/or weather.

The dryer needs sufficient clearance and an adequate air supply for proper operation and ventilation, and for easier installation and servicing. (Minimum clearances are shown in *Figure 4*).

4. Place the dryer in position, and adjust the legs until the dryer is level from side to side and front to back. Leveling legs can be adjusted from inside the dryer with a 1/4 in. driver.
5. All four legs must rest firmly on the floor so the weight of the dryer is evenly distributed. The dryer must not rock.

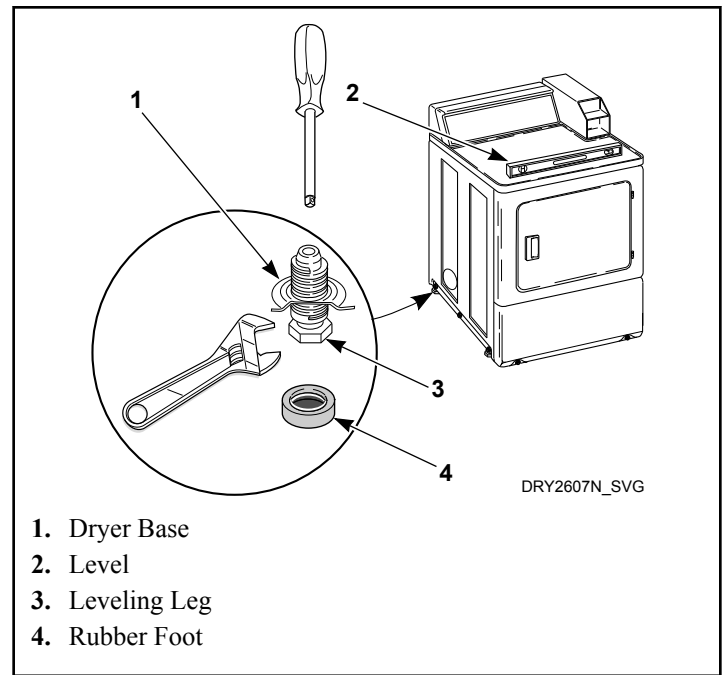
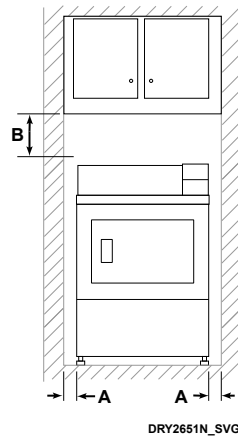
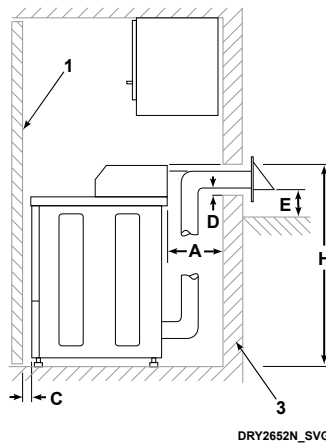


Figure 3

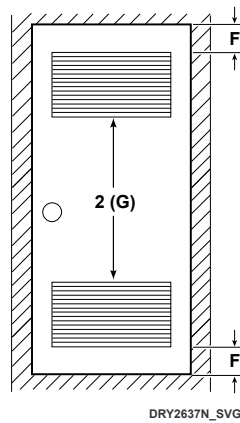
Front View (Without Closet Door)



Side View (Closet Door)



Front View (Closet Door)



- 1. Closet Door
- 2. Centered Air Openings (G) (2 Openings minimum)
- 3. Outer Wall of Enclosure

Figure 4


Area	Description	Free Standing/Alcove Installation	Closet Installation
A*	Dryer sides and rear clearance	0 mm [0 in.]	0 mm [0 in.]
B	Dryer top clearance	305 mm [12 in.]	305 mm [12 in.]
C	Dryer front clearance	Not Applicable	51 mm [2 in.]
D	Exhaust duct clearance to combustible material	51 mm [2 in.]	51 mm [2 in.]
E	Weather hood to ground clearance	305 mm [12 in.]	305 mm [12 in.]
F	Distance from floor or ceiling to air opening edge	Not Applicable	76 mm [3 in.]
G	Area of centered air openings in closet door. Louvered door with equivalent air openings is acceptable. (Minimum clearances are shown.)	Not Applicable	1016 sq. mm/open [40 sq. in./open]
H	For new installations, it is suggested to locate top of wall vent 1067 mm [42 inches] above floor to make venting easier to connect.	1067 mm [42 in.]	1067 mm [42 in.]
*	Rear clearance is minimum. 51 mm [2 inches] is recommended for utility connection. 152 mm [6 inches] is recommended when venting through rear of unit.		


Table 1


IMPORTANT: In mobile home installations, gas dryers MUST be permanently attached to the floor at the time of installation. Order No. 526P3 Hold Down Kit (available at extra cost) for a manufactured (mobile) home installation. Follow the instructions supplied with the kit.

Installation of unit must conform to the Manufactured Home Construction and Safety Standards, Title 24 CF4, Part 32-80 or Standard CAN/CSA-Z240 MH.

Connect Dryer Exhaust System

	WARNING
<p>To reduce the risk of fire and combustion gas accumulation the dryer MUST be exhausted to the outdoors.</p>	
W604	

	WARNING
<p>To reduce the risk of fire and the accumulation of combustion gases, DO NOT exhaust dryer air into a window well, gas vent, chimney or enclosed, unventilated area, such as an attic, wall, ceiling, crawl space under a building or concealed space of a building.</p>	
W045	

	WARNING
<p>To reduce the risk of fire, DO NOT use plastic or thin foil ducting to exhaust the dryer.</p>	
W354	

WARNING

To reduce the risk of fire, the exhaust duct and weather hood **MUST** be fabricated of a material that will not support combustion. Rigid or flexible metal pipe is recommended for a clothes dryer.

W048

WARNING

To reduce the risk of fire due to increased static pressure, we do not recommend installation of in-line secondary lint filters or lint collectors. If secondary systems are mandated, frequently clean the system to assure safe operation.

W749

IMPORTANT: Installing in-line filters or lint collectors will cause increased static pressure. Failure to maintain the secondary lint system will decrease dryer efficiency and will void machine warranty.

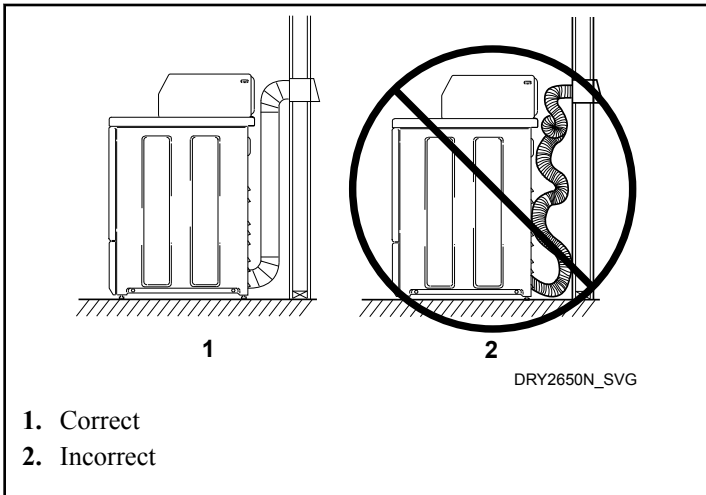


Figure 5

- DO NOT use plastic, thin foil or type B ducting. Rigid metal duct is recommended.
- Locate dryer so exhaust duct is as short as possible.
- Be certain old exhaust ducts are cleaned before installing your new dryer.
- Use 102 mm [4 inch] diameter rigid or flexible metal duct.
- The male end of each section of duct must point away from the dryer.
- Use as few elbows as possible.
- Use of duct tape or pop-rivets on all seams and joints is recommended, if allowed by local codes. DO NOT use sheet metal screws or fasteners on exhaust pipe joints which extend into the duct and catch lint.

- Ductwork that runs through unheated areas must be insulated to help reduce condensation and lint build-up on pipe walls.
- Install backdraft dampers in multi-dryer installations.
- In mobile home installations, dryer exhaust duct must be secured to mobile home structure.
- Dryer exhaust duct **MUST NOT** terminate under mobile home.
- Exhaust duct must not be connected to any other duct, vent, or chimney.
- Dryer exhausts 220 cfm per unit (measured at back of dryer).
- DO NOT install flexible duct in concealed spaces, such as a wall or ceiling.
- Static pressure in exhaust duct should not be greater than 1.5 cm water column [0.6 inches water column], measured with manometer placed on exhaust duct 610 mm [2 feet] from dryer (check with dryer running and no load). In multi-dryer installations, all dryers connected to the main collector duct should be operating when pressure is checked.
- Exhausting dryer in hard-to-reach locations can be done by installing 521P3 Flexible Metal Vent Kit (available as optional equipment at extra cost).
- Sufficient make-up air must be supplied to replace the air exhausted by the dryer. The free area of any opening for outside air must be at least 25806 mm² [40 in.²] per unit.
- Energy efficient buildings with low air infiltration rates should be equipped with an air exchanger that can accommodate on demand make-up air needs in the laundry room. These devices can be obtained through your building contractor or building material suppliers.
- Do not draw make-up air from a room containing a gas fired water heater, a dry cleaner or a hair salon.
- Failure to exhaust dryer properly will void warranty.
- A dryer will dissipate 681,392 J/m² [60 Btu/ft²] of surface area exposed to the conditioned air.

NOTE: Venting materials are not supplied with the dryer (obtain locally).

IMPORTANT: DO NOT block the airflow at the bottom of the dryer's front panel with laundry, rugs, etc. Blockage will decrease airflow through the dryer, thus reducing the efficiency of the dryer.

Exhaust Direction

The dryer can be exhausted to the outdoors through the back, left, right or bottom of the dryer. EXCEPTION: Gas dryers cannot be vented out the left side because of the burner housing.

Dryer is shipped from factory ready for rear exhaust.

Exhausting the dryer through sides or bottom can be accomplished by installing a Directional Exhaust Kit, 528P3, available as optional equipment at extra cost.

Exhaust System

For best drying results, recommended maximum length of exhaust system is shown in *Table 2*.

To prevent backdraft when dryer is not in operation, outer end of exhaust pipe must have a weather hood with hinged dampers (obtain locally).

NOTE: Weather hood should be installed at least 305 mm [12 inches] above the ground. Larger clearances may be necessary for installations where heavy snow-fall can occur.

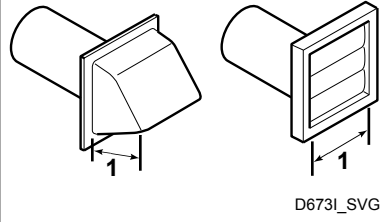
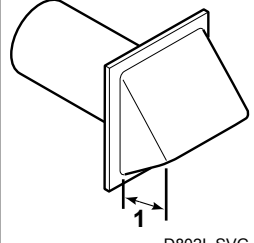
Number of 90° Elbows	Weather Hood Type	
	Recommended	Use Only for Short Run Installations
	 <p>1. 102 mm [4 in.]</p>	 <p>1. 64 mm [2.5 in.]</p>
Maximum length of 102 mm [4 in.] diameter rigid metal duct.		
0	19.8 m [65 feet]	16.8 m [55 feet]
1	16.8 m [55 feet]	14.3 m [47 feet]
2	14.3 m [47 feet]	12.5 m [41 feet]
3	11.0 m [36 feet]	9.1 m [30 feet]
4	8.5 m [28 feet]	6.7 m [22 feet]

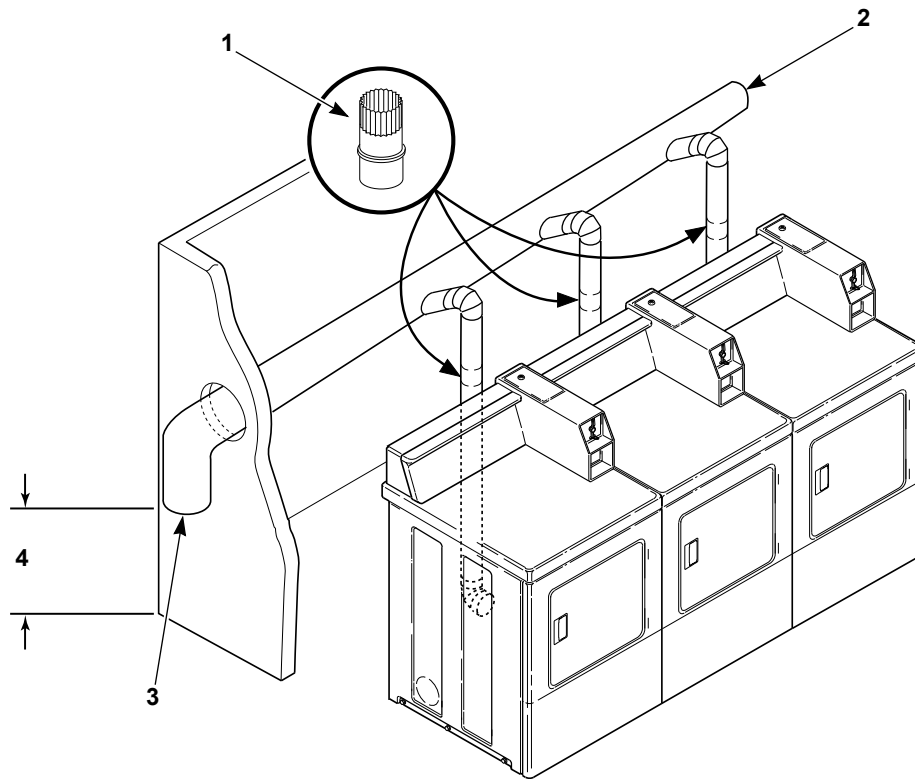
Table 2

NOTE: Deduct 1.8 m [6 feet] for each additional elbow.

NOTE: The maximum length of a 102 mm [4 in.] diameter flexible metal duct must not exceed 2.4 m [7.87 ft.], as required to meet UL2158, clause 7.3.2.A.

Multi-Dryer Installation Exhaust Requirements

Figure 6 shows a typical example of a multiple dryer installation. Note how each dryer has its own exhaust system vented to the central exhaust duct.



DRY2358N_SVG

1. 58786 Backdraft Damper (Available through your local authorized parts source)
2. Clean Out Cover (Must be provided). Inspect monthly.
3. Weather Hood or Sweep Elbow (No cap or screen)
4. 610 mm [24 in.] Minimum Clearance to Roof/Ground

Figure 6

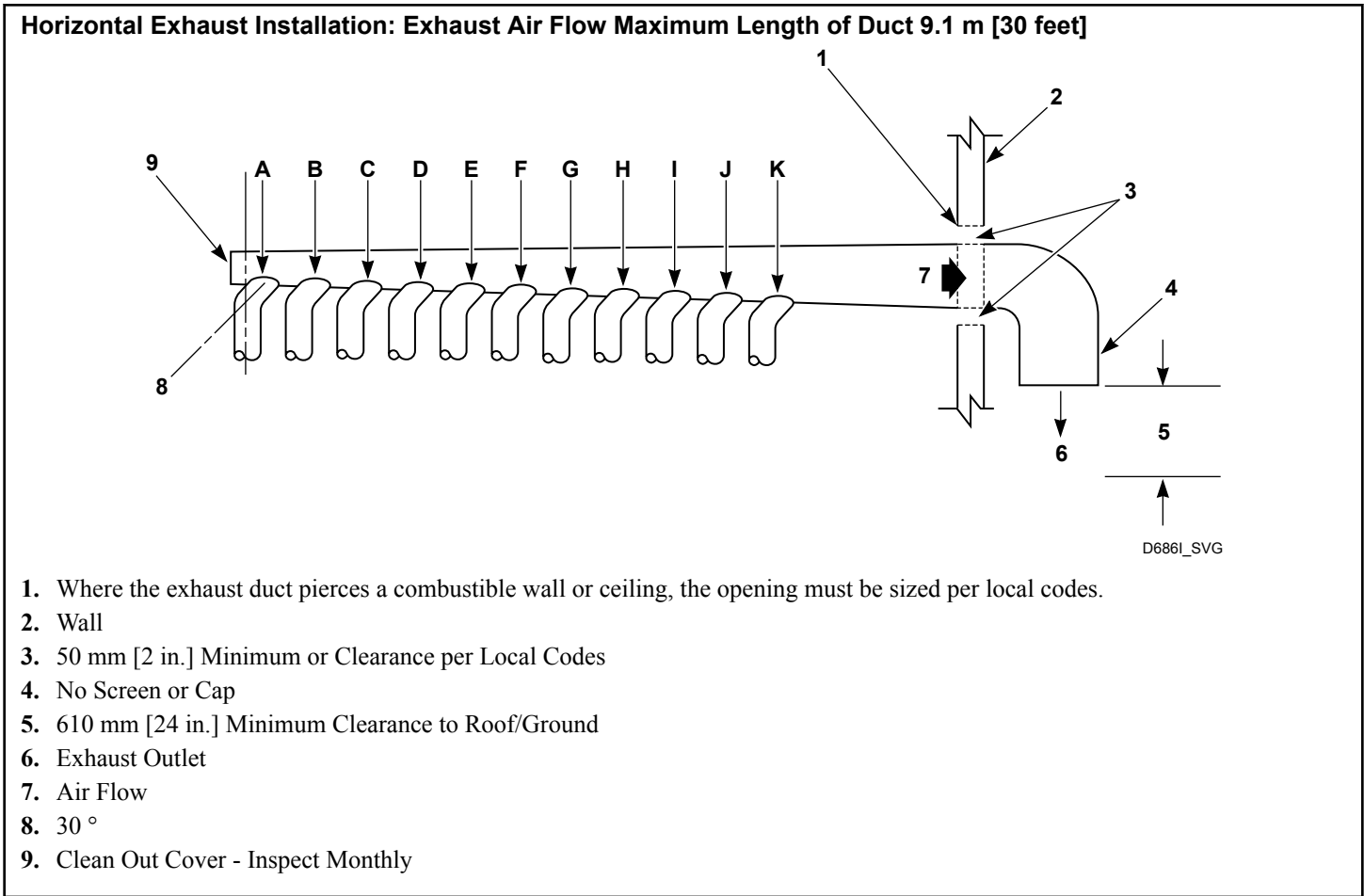



Figure 7

Duct Station	Minimum Diameter of Collector Duct
A	102 mm [4 inches]
B	203 mm [8 inches]
C	229 mm [9 inches]
D	254 mm [10 inches]
E	279 mm [11 inches]
F	305 mm [12 inches]
G	326 mm [13 inches]
H	356 mm [14 inches]
I	381 mm [15 inches]
J	381 mm [15 inches]
K	406 mm [16 inches]

Table 3

Gas Dryers - Connect Gas Supply Pipe



WARNING

To reduce the risk of gas leaks, fire or explosion:

- The dryer must be connected to the type of gas as shown on nameplate located in the door recess.
- Use a new flexible stainless steel connector.
- Use pipe joint compound insoluble in L.P. (Liquefied Petroleum) Gas, or Teflon tape, on all pipe threads.
- Purge air and sediment from gas supply line before connecting it to the dryer. Before tightening the connection, purge remaining air from gas line to dryer until odor of gas is detected. This step is required to prevent gas valve contamination.
- Do not use an open flame to check for gas leaks. Use a non-corrosive leak detection fluid.
- Any disassembly requiring the use of tools must be performed by a suitably qualified service person.

W316

- Make certain your dryer is equipped for use with the type of gas in your laundry room. Dryer is equipped at the factory for Natural Gas with a 3/8 inch NPT gas connection.

NOTE: The gas service to a gas dryer must conform with the local codes and ordinances, or in the absence of local codes and ordinances, with the latest edition of the National Fuel Gas Code ANSI Z223.1/ NFPA 54 or the CAN/CSA-B149.1 Natural Gas and Propane Installation Code.

Natural Gas, 37.3 MJ/m³ [1000 Btu/ft³], service must be supplied at minimum 5.0 inch water column pressure to maximum 10.5 inch water column pressure.

For proper operation at altitudes above 610 m [2000 feet] the natural gas valve spud orifice size must be reduced to ensure complete combustion. Refer to *Table 4*.

Natural Gas Altitude Adjustments			
Altitude	Orifice Size		Part Number
m [feet]	#	mm [inches]	
610 [2,000]	41	2.44 [0.0960]	D503776

Table 4 continues...

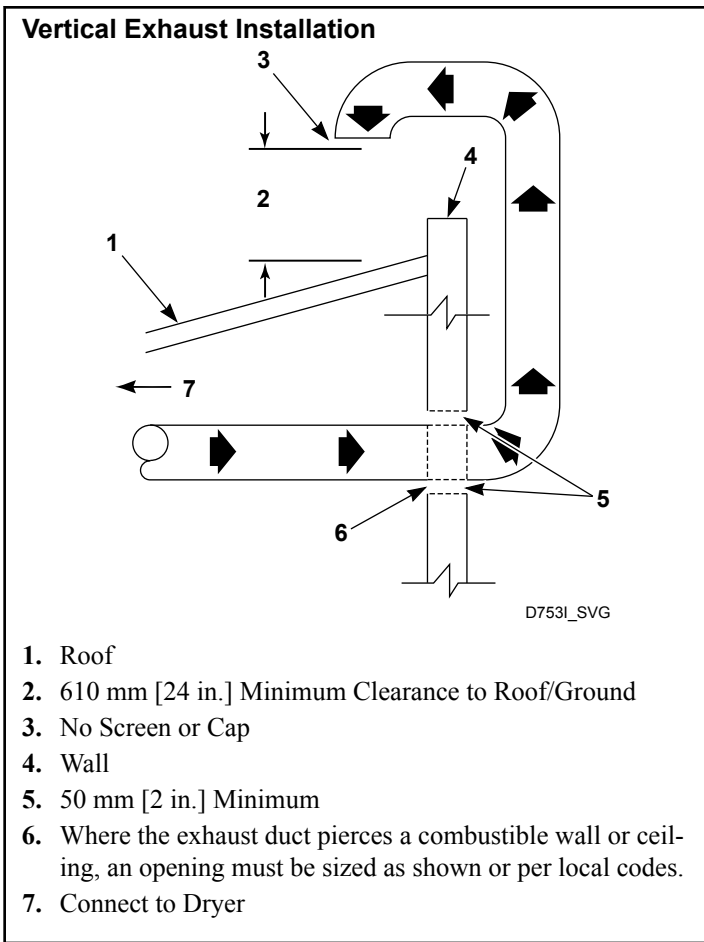



Figure 8



WARNING

To reduce the risk of fire and the accumulation of combustion gases, **DO NOT** exhaust dryer air into a window well, gas vent, chimney or enclosed, unventilated area, such as an attic, wall, ceiling, crawl space under a building or concealed space of a building.

W045

A Backdraft Damper, Part No. 58786 (obtain locally), should be installed in a 102 mm [4 inch] diameter VERTICAL duct system. This will prevent a backdraft when dryer is not in use, and will keep the exhaust air in balance within the central exhaust system.

Natural Gas Altitude Adjustments			
Altitude	Orifice Size		Part Number
	m [feet]	#	
915 [3,000]	42	2.37 [0.0935]	D503777
1,680 [5,500]	43	2.26 [0.0890]	D503778
2,135 [7,000]	44	2.18 [0.0860]	58719
2,745 [9,000]	45	2.08 [0.0820]	D503779
3,200 [10,500]	46	2.06 [0.0810]	D503780

Table 4

- Remove the shipping cap from the gas connection at the rear of the dryer. Make sure you do not damage the pipe threads when removing the cap.

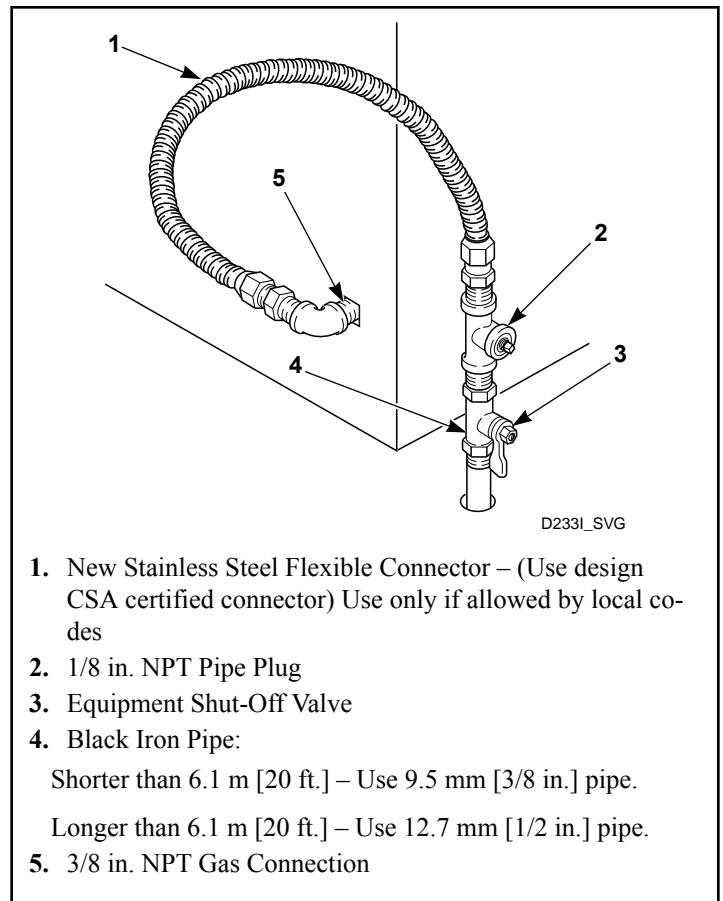
NOTE: If gas supply connection is British Standard Pipe Tapered thread (BSPT), order 44178804 brass female NPT (FPT) to male BSPT gas pipe thread adapter, available at extra cost.

- Connect to gas supply pipe using thread sealant or Teflon tape. Torque 10.2 - 19.7 Nm [90 - 175 inch-pounds].

NOTE: The connection of gas supply to the appliance shall be made with a flexible hose suitable for the appliance category in accordance with national installation regulations of the country of destination. If in doubt contact the dryer distributor or manufacturer.

NOTE: When connecting to a gas line, an equipment shut-off valve in accordance with the National Fuel Gas Code, ANSI Z223.1/NFPA 54 and the Natural Gas and Propane Installation Code, CSA B149.1 must be installed within 1.8 m [6 feet] of the dryer. An 1/8 in. NPT pipe plug must be installed as shown for checking inlet pressure. Refer to Figure 9.

Starting Serial No. 1908000001, the following must be furnished and installed by the customer for the gas service line to dryer: Union at gas supply connection (listed to ANSI Z21.24 and CSA 6.10).



- New Stainless Steel Flexible Connector – (Use design CSA certified connector) Use only if allowed by local codes
- 1/8 in. NPT Pipe Plug
- Equipment Shut-Off Valve
- Black Iron Pipe:
Shorter than 6.1 m [20 ft.] – Use 9.5 mm [3/8 in.] pipe.
Longer than 6.1 m [20 ft.] – Use 12.7 mm [1/2 in.] pipe.
- 3/8 in. NPT Gas Connection

Figure 9

- Tighten all connections securely but don't overtighten to avoid breaking or bending the gas valve bracket. Turn on gas and check all pipe connections (internal & external) for gas leaks with a non-corrosive leak detection fluid.

NOTE: The dryer and its appliance main gas valve must be disconnected from the gas supply piping system during any pressure testing of that system at test pressures in excess of 3.45 kPa [1/2 psi]. Refer to Check Heat Source.

NOTE: DO NOT connect the dryer to L.P. Gas Service without converting the gas valve. Install L.P. Gas Conversion Kit 458P3, available at extra cost.

L.P. (Liquefied Petroleum) Gas, 93.1 MJ/m³ [2500 Btu/ft.³], service must be supplied at 10 ± 1.5 inch water column pressure.

For proper operation at altitudes above 1070 m [3500 feet] the L.P. gas valve spud orifice size must be reduced to ensure complete combustion. Refer to Table 5.

L.P. Altitude Adjustments			
Altitude	Orifice Size		Part No.
	m [feet]	No.	
1070 [3500]	54	1,40 [0.0550]	D503785
2290 [7500]	55	1.32 [0.0520]	58755
3355 [11000]	56	1.18 [0.0465]	D503786

Table 5

Reverse Door, if Desired

NOTE: Doors with windows cannot be reversed.

The door on this dryer is completely reversible. To reverse door proceed as follows:

1. Remove four hinge attaching screws.

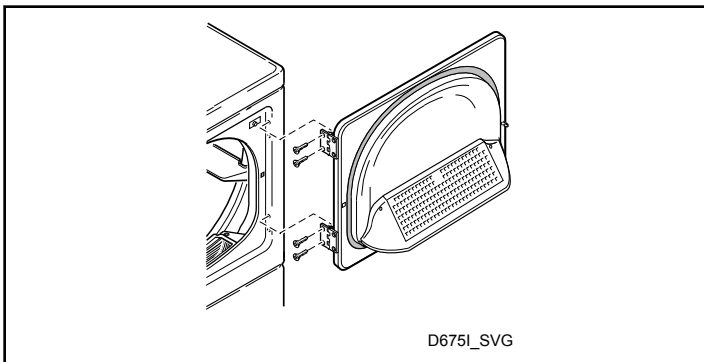


Figure 10

2. Remove all nine screws.

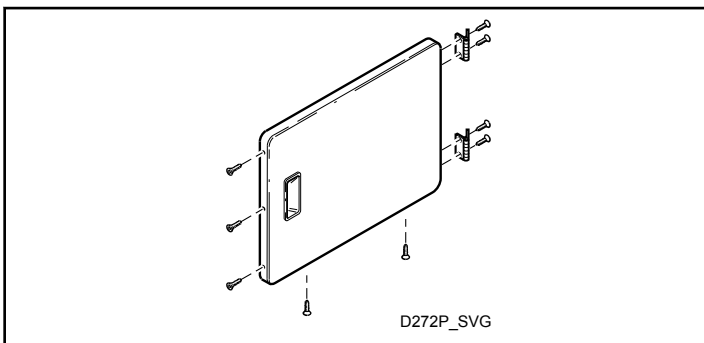


Figure 11

3. Pull bottom of door liner out, then pull down, removing door liner from door panel.

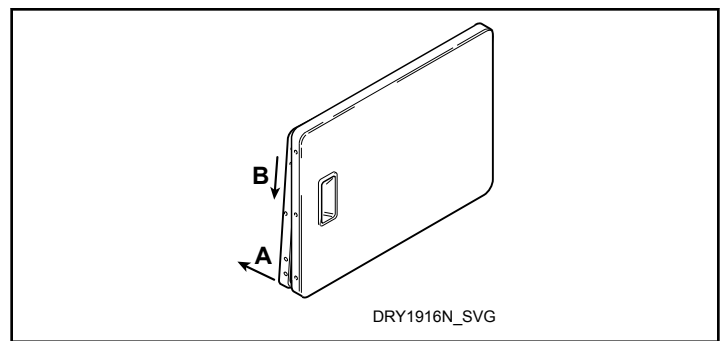


Figure 12

4. Rotate door panel 180 degrees as shown.

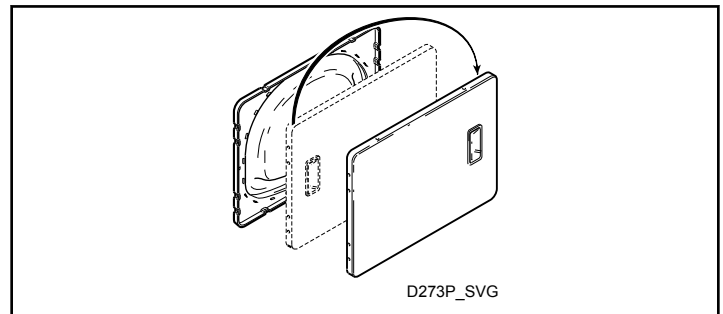


Figure 13

5. Remove door strike from door liner and reinstall on opposite side.

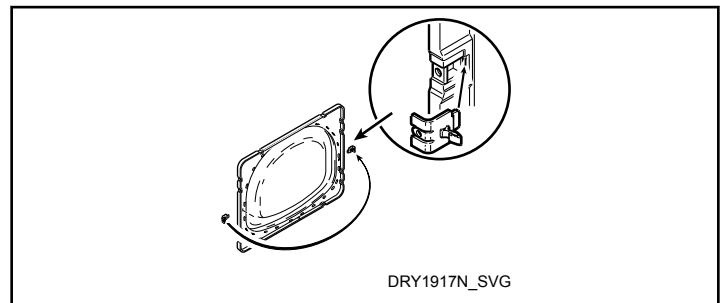


Figure 14

6. Insert liner under flange on bottom of door, then push top of door liner into place.

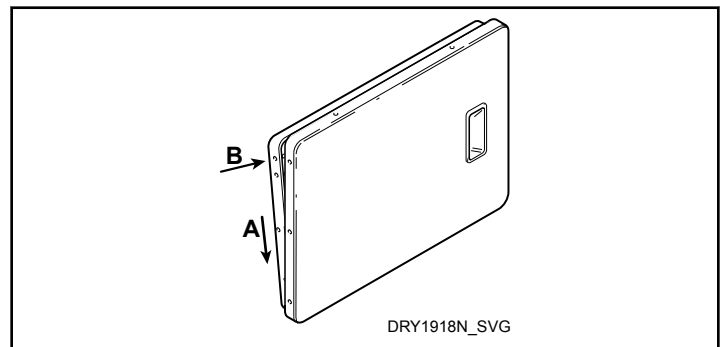


Figure 15

7. Reinstall nine screws removed in Step 2.

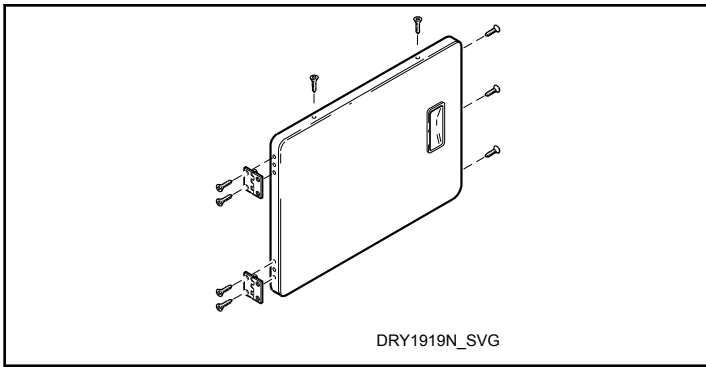


Figure 16

- Using screwdriver, remove two door plugs, and reinstall on opposite side of door opening.

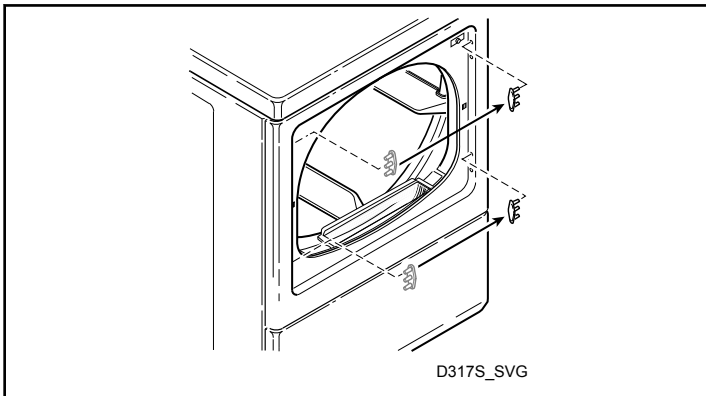


Figure 17

- Reinstall four hinge attaching screws, removed in Step 1.

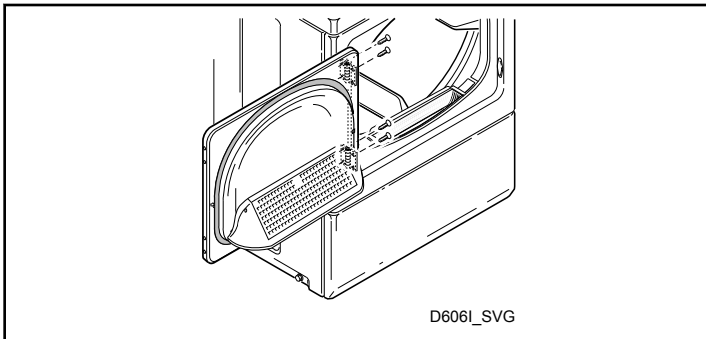


Figure 18

Wipe Out Inside of Dryer

Before using dryer for the first time, use an all-purpose cleaner, or a detergent and water solution, and a damp cloth to remove shipping dust from inside dryer drum.

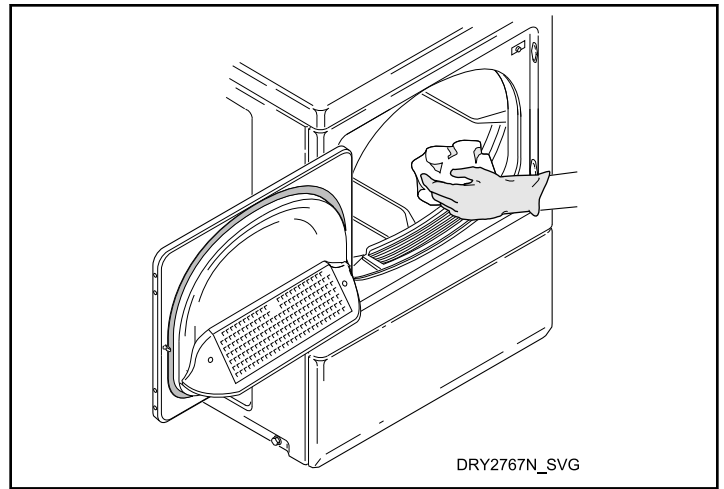


Figure 19

Plug In the Dryer

This appliance is to be supplied through a residual current device (RCD) having a rated residual operating current not exceeding 30 mA.



WARNING

The appliance must not be supplied through an external switching device, such as a timer, or connected to a circuit that is regularly switched on and off by a utility.

W943

Electric Dryers with 4-Wire Plug (Supplied with Dryer)

120/240 Volt, 60 Hertz, 3-Wire and Earth/Ground Installation

120/208 Volt, 60 Hertz, 3-Wire and Earth/Ground Installation

NOTE: The wiring diagram is located in the control hood.



WARNING

To reduce the risk of fire, electric shock, serious injury or death, all wiring and protective earth/ground connections **MUST** conform with the latest edition of the National Electrical Code, ANSI/NFPA 70, or the Canadian Electrical Code, CSA C22.1, and such local regulations as might apply. It is the customer's responsibility to have the wiring and fuses installed by a qualified electrician to make sure adequate electrical power is available to the unit.

W891

Earth/Ground and Wiring Instructions

This appliance must be properly connected to protective earth/ground. In the event of malfunction or breakdown, the earth/ground will reduce the risk of electric shock by providing a path of least resistance for electric current.

This appliance is equipped with a cord having an equipment-earth/ground conductor and an earth/ground plug. The plug must be plugged into an appropriate outlet that is properly installed and connected to a protective earth/ground in accordance with all local codes and ordinances.

	WARNING
<p>Improper connection of the equipment earth/ground conductor can result in a risk of electric shock. Check with a qualified electrician or service person if you are in doubt as to whether the unit is properly connected to a protective earth/ground.</p>	
W893	

Do not modify the plug provided with the appliance – if it will not fit the outlet, have a proper outlet installed by a qualified electrician.

The electric service must be a separate branch, polarized, three-wire and earth/ground, 120/240 Volt, or 120/208 Volt (refer to serial plate for specific voltage), 60 Hertz, AC single phase circuit fused with 30 ampere fuses.

The cord and plug assembly (supplied with dryer) should be plugged into an approved receptacle that is mounted on the wall adjacent to the dryer. This receptacle should be accessible to the user or service person when the dryer is in position, to permit disconnecting when necessary.

NOTE: Branch circuit wire size requirements to laundry room outlet are shown in table below.

Wire Length	Wire
Less than 4.5 m [15 ft.]	Listed No. 10 AWG Copper wire only
Longer than 4.5 m [15 ft.]	Listed No. 8 AWG Copper wire only

Table 6

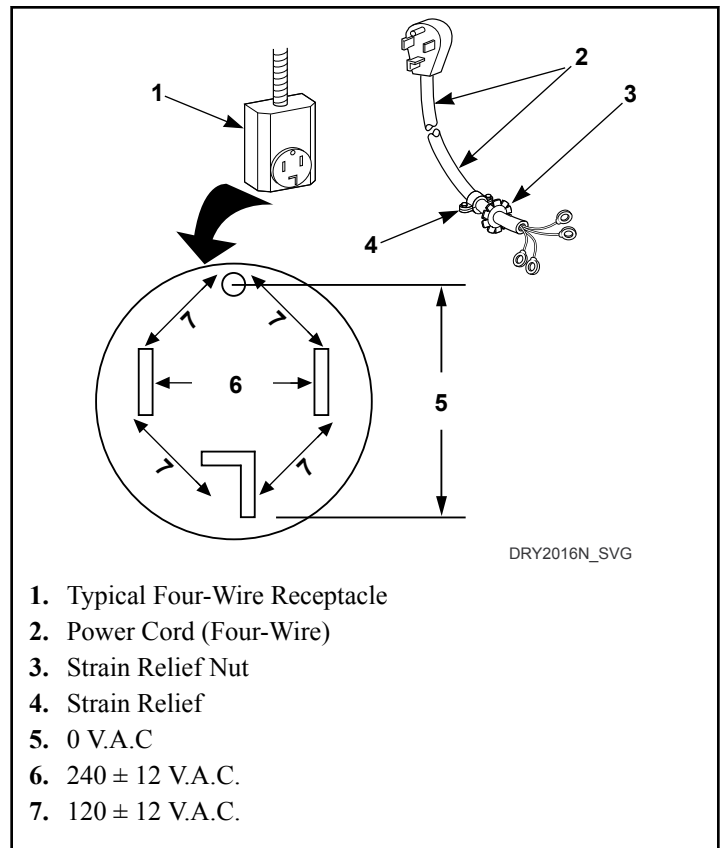


Figure 20

Electric Dryers with 3-Wire Plug (Requires Conversion)

120/240 Volt, 60 Hertz, 3-Wire Installation

120/208 Volt, 60 Hertz, 3-Wire Installation

NOTE: The wiring diagram is located in the control hood.


	WARNING
<p>To reduce the risk of fire, electric shock, serious injury or death, all wiring and protective earth/ground connections MUST conform with the latest edition of the National Electrical Code, ANSI/NFPA 70, or the Canadian Electrical Code, CSA C22.1, and such local regulations as might apply. It is the customer's responsibility to have the wiring and fuses installed by a qualified electrician to make sure adequate electrical power is available to the unit.</p>	
W891	

NOTE: Use only a new U.L. listed No. 10 (copper wire only) three or four conductor power supply cord kit rated 240 Volts (minimum) 30 Amperes and labeled as suitable for use in a clothes dryer.

Earth/Ground Instructions

This appliance must be properly connected to protective earth/ground. In the event of malfunction or breakdown, the earth/ground will reduce the risk of electric shock by providing a path of least resistance for electric current.

This appliance is equipped with a cord having an equipment-earth/ground conductor and an earth/ground plug. The plug must be plugged into an appropriate outlet that is properly installed and connected to a protective earth/ground in accordance with all local codes and ordinances.

	WARNING
<p>Improper connection of the equipment earth/ground conductor can result in a risk of electric shock. Check with a qualified electrician or service person if you are in doubt as to whether the unit is properly connected to a protective earth/ground.</p>	
W893	

Do not modify the plug provided with the appliance – if it will not fit the outlet, have a proper outlet installed by a qualified electrician.

This dryer must be properly connected to a protective earth/ground metal, permanent wiring system; or an equipment-earth/ground conductor must be run with the circuit conductors and connected to the equipment-earth/ground terminal or lead on the dryer.

The dryer has its own terminal block that must be connected to a separate branch, 60 Hertz, single phase circuit, AC (alternating current) circuit, fused at 30 Amperes (the circuit must be fused on both sides of the line). Electrical service for the dryer should be of maximum rated voltage listed on the nameplate (208 or 240 Volt, depending on heating element). Do not connect dryer to 110, 115, or 120 Volt circuit.

Heating elements are available for field installation in dryers which are to be connected to electrical service of different voltage than that listed on nameplate, such as 208 Volt.

NOTE: Branch circuit wire size requirements to laundry room outlet are shown in table below.

Wire Length	Wire
Less than 4.5 m [15 ft.]	Listed No. 10 AWG Copper wire only
Longer than 4.5 m [15 ft.]	Listed No. 8 AWG Copper wire only

Table 7

The power cord (pigtail) connection between wall receptacle and dryer terminal block IS NOT supplied with dryer. Type of pigtail and gauge of wire must conform to local codes and with instructions mentioned on the following pages.

The method of wiring the dryer is optional and subject to local code requirements. Refer to the following examples.

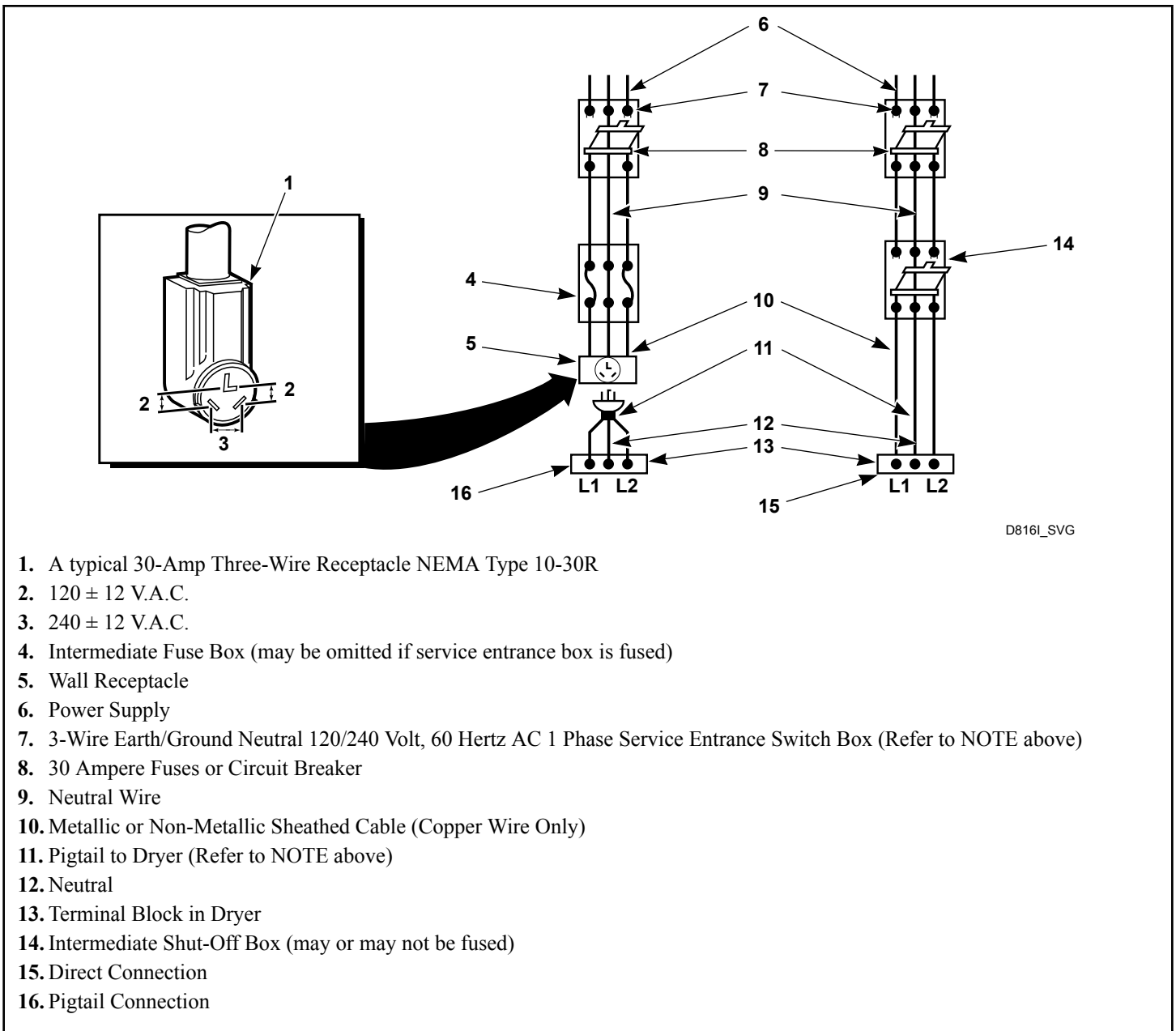
Three-Wire Plug

NOTE: The three-wire power cord (pigtail) is NOT supplied with the electric dryer. Type of pigtail and gauge of wire must conform to local codes and instructions. The method of wiring the dryer is optional and subject to local code requirements.

NOTE: Connect the dryer to the power supply with the MAXIMUM RATED VOLTAGE listed on the serial plate.

NOTE: Use COPPER WIRE only.

- Shorter than 15 ft. (4.5 m) – use 10 AWG**
- Longer than 15 ft. (4.5 m) – use 8 AWG**



- 1. A typical 30-Amp Three-Wire Receptacle NEMA Type 10-30R
- 2. 120 ± 12 V.A.C.
- 3. 240 ± 12 V.A.C.
- 4. Intermediate Fuse Box (may be omitted if service entrance box is fused)
- 5. Wall Receptacle
- 6. Power Supply
- 7. 3-Wire Earth/Ground Neutral 120/240 Volt, 60 Hertz AC 1 Phase Service Entrance Switch Box (Refer to NOTE above)
- 8. 30 Ampere Fuses or Circuit Breaker
- 9. Neutral Wire
- 10. Metallic or Non-Metallic Sheathed Cable (Copper Wire Only)
- 11. Pigtail to Dryer (Refer to NOTE above)
- 12. Neutral
- 13. Terminal Block in Dryer
- 14. Intermediate Shut-Off Box (may or may not be fused)
- 15. Direct Connection
- 16. Pigtail Connection

Figure 21

To Convert from 4-Wire Connection to 3-Wire Connection

- 1. Disconnect power to dryer.
- 2. Remove access cover from rear of dryer.

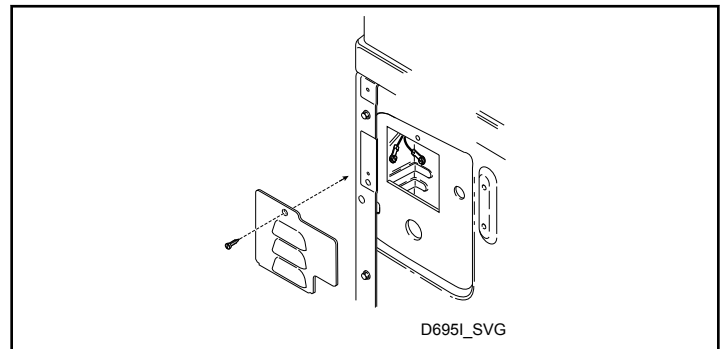


Figure 22

Installation

- Remove the three silver screws holding the three wires to the terminal block terminals. Remove green earth/ground screw holding power cord earth/ground wire to rear bulkhead. Save all four screws.
- Loosen the strain relief screw and pull the cord or wires out through the rear of the dryer.

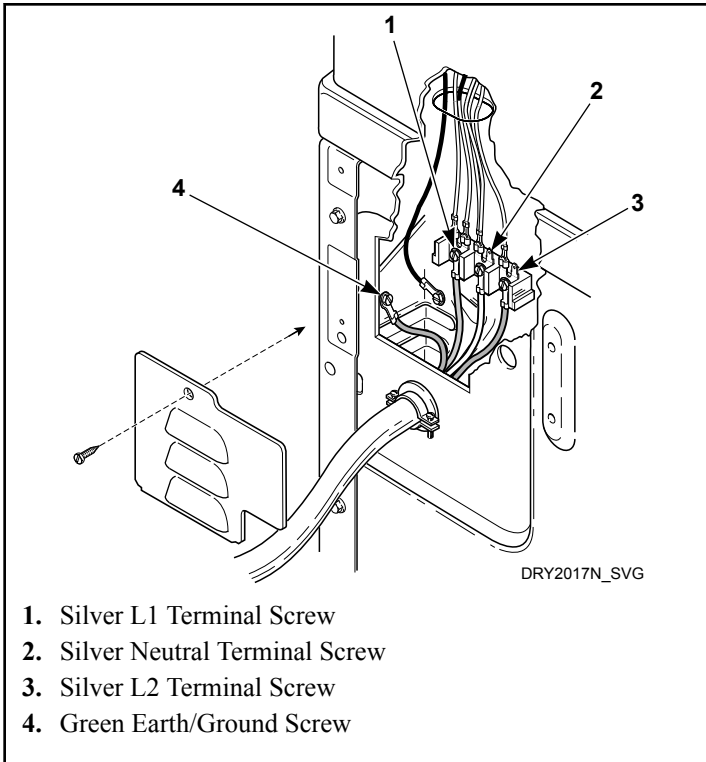


Figure 23

- Attach one end of green earth/ground wire (supplied in accessories bag) to rear bulkhead using green earth/ground screw removed in step 3.

NOTE: Do not use power screwdriver when tightening ground screw or terminal block screws.

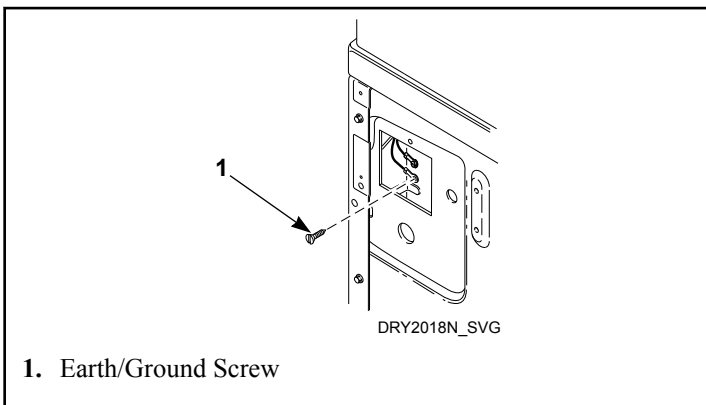


Figure 24

- Use the three silver screws removed in step 3 to attach the wires from the new power cord and the other end of the green

earth/ground wire to the terminal block as shown in *Figure 25*.

NOTE: Green earth/ground wire must be connected to center (neutral) terminal of terminal block.

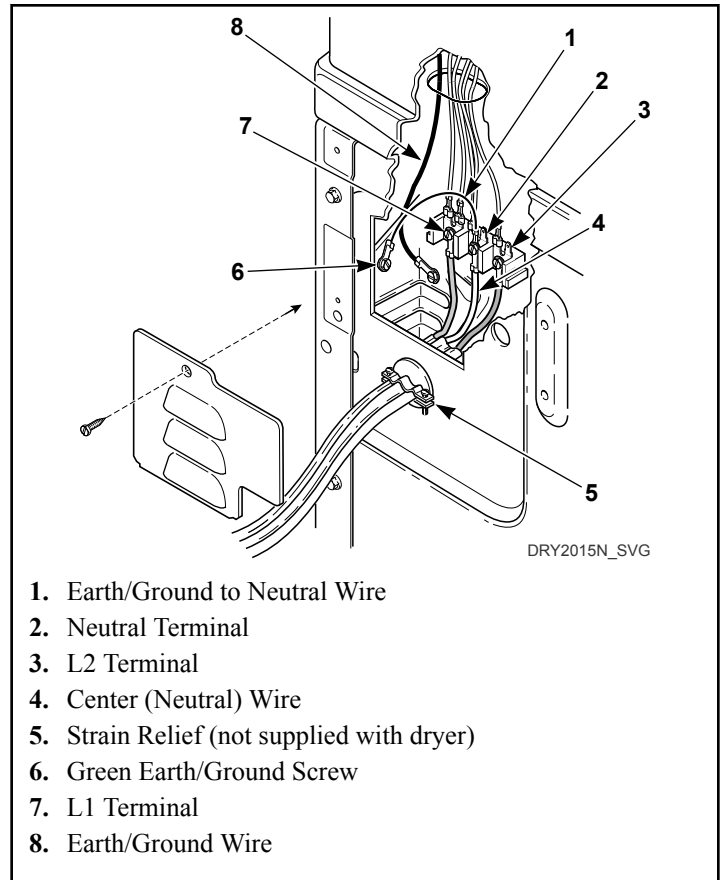


Figure 25

- Tighten all screws using a screwdriver and reinstall access cover removed in step 2.
- NOTE: Failure to tighten these screws firmly may result in wire failure at the terminal block.**
- Secure the strain relief to the power cord, or wires, where they enter the dryer cabinet.
- Check the continuity of the ground connection before plugging the cord into an outlet. Use an acceptable indicating device connected to the center grounding pin of the plug and the green screw on the back of cabinet.
- Reinstall access cover and screw.
- Restore power to dryer.

Gas Dryer

Dryer requires 120 Volt, 60 Hertz electrical supply and comes equipped with a 3-prong earth/ground plug. Refer to serial plate for specific electrical requirements.

NOTE: The wiring diagram is located in the control hood.



WARNING

To reduce the risk of fire, electric shock, serious injury or death, all wiring and grounding **MUST** conform with the latest edition of the National Electrical Code, ANSI/NFPA 70, or the Canadian Electrical Code, CSA C22.1, and such local regulations as might apply. It is the customer's responsibility to have the wiring and fuses installed by a qualified electrician to make sure adequate electrical power is available to the dryer.

W521

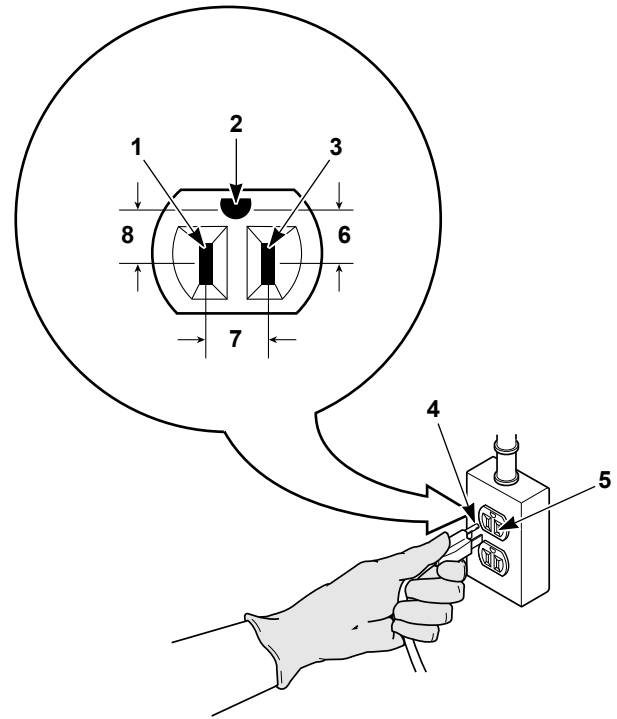
When plugging in the dryer:

- DO NOT overload circuits.
- DO NOT use an extension cord.
- DO NOT use an adapter.
- DO NOT operate other appliances on the same circuit. Use separately fused 15 Amp circuits.

The dryer is designed to be operated on a separate branch, polarized, three-wire, effective earth/ground, 120 Volt, 60 Hertz, AC (alternating current) circuit protected by a 15 Ampere fuse, equivalent fuse-tron or circuit breaker.

The three-prong earth/ground plug on the power cord should be plugged directly into a polarized three-slot effective earth/ground receptacle rated 120 Volts AC (alternating current) 15 Amps. Refer to *Figure 26* to determine correct polarity of the wall receptacle.

Plug Cord Into Separately Fused 15 Amp Circuit



TLW2287N_SVG


1. L1
2. Earth/Ground
3. Neutral
4. Round Earth/Ground Plug
5. Neutral Side
6. 0 V.A.C.
7. 120 ± 12 V.A.C.
8. 120 ± 12 V.A.C.


Figure 26

Earth/Ground Information

This appliance must be properly connected to protective earth/ground. In the event of malfunction or breakdown, the earth/ground will reduce the risk of electric shock by providing a path of least resistance for electric current.

The dryer is equipped with a cord having an equipment earth/ground conductor. The plug must be plugged into an appropriate outlet that is properly installed and connected to a protective earth/ground in accordance with all local codes and ordinances.


	WARNING
<p>This unit is equipped with a three-prong (earth/ground) plug for your protection against shock hazard and should be plugged directly into a protective earth/ground three-prong receptacle. Do not cut or remove the earth/ground prong from this plug.</p>	
W823	

	WARNING
<p>Improper connection of the equipment earth/ground conductor can result in a risk of electric shock. Check with a qualified electrician or service person if you are in doubt as to whether the dryer is properly connected to a protective earth/ground.</p>	
W886	

Do not modify the plug provided with the dryer – if it will not fit the outlet, have a proper outlet installed by a qualified electrician.

NOTE: Have a qualified electrician check the polarity of the wall receptacle. If a voltage reading is measured other than that illustrated, the qualified electrician should correct the problem.

Do not operate other appliances on the same circuit.


	WARNING
<p>To reduce the risk of an electric shock or fire, DO NOT use an extension cord or an adapter to connect the dryer to the electrical power source.</p>	
W037	

1. To view the burner flame, remove the lower front panel of the dryer.
2. Close the loading door and start the dryer in a heat setting (refer to the operation instructions). The dryer will start, the igniter will glow red and the main burner will ignite.

IMPORTANT: If all air is not purged out of gas line, gas igniter may go off before gas is ignited. If this happens, after approximately two minutes igniter will again attempt gas ignition.

IMPORTANT: If igniter does not light, make sure gas is turned on.

3. After the dryer has operated for approximately five minutes, observe burner flame through lower front panel.
4. Adjust the air shutter to obtain a soft, uniform blue flame. (A lazy, yellow-tipped flame indicates lack of air. A harsh, roaring, very blue flame indicates too much air.) Adjust the air shutter as follows:
 - a. Loosen the air shutter lock screw.
 - b. Turn the air shutter to the left to get a luminous yellow-tipped flame, then turn it back slowly to the right to obtain a steady, soft blue flame.
 - c. After the air shutter is adjusted for proper flame, tighten the air shutter lock screw securely.
5. Reinstall the lower front panel.

	WARNING
<p>To reduce the risk of serious injury or death, lower front panel must be in place during normal operation.</p>	
W158	

6. After the dryer has operated for approximately three minutes, exhaust air or exhaust pipe should be warm.

Recheck Steps

Refer to Installer Checklist on the back cover of this manual and make sure that dryer is installed correctly.

Check Heat Source

Electric Dryers

1. Close the loading door and start the dryer in a heat setting (refer to the operation instructions).
2. After the dryer has operated for three minutes, the exhaust air or exhaust pipe should be warm.

Gas Dryers

IMPORTANT: This operation is to be conducted by qualified personnel only.

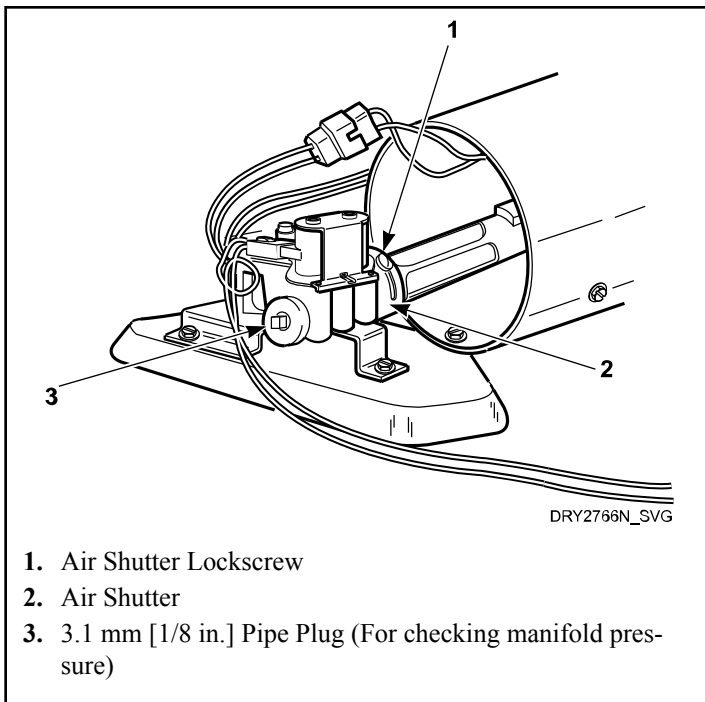


Figure 27

Vending

Meter Case

The factory mounted coin meter case does not include the service door lock, coin slide (if applicable), coin drawer, coin drawer lock or keys. These parts must be ordered (at extra cost) according to the purchaser's requirements direct from the manufacturer of your choice.

NOTE: You have the option of using a screw type lock or a 1/4 turn lock on the meter case service door. If you choose to use a screw lock, then the special bracket (located inside the meter case) must be used. DO NOT use the special bracket if a 1/4 turn lock is used.

Coin Drawer Security - For additional security, drill out the two pilot holes on each side of the front of the meter case to 6.4 or 7.9 mm [1/4 or 5/16 inch] holes and install a bicycle lock through these holes.

NOTE: An 203 mm [8 in.] coin drawer is required for coin operated electronic control models.

Coin Slide and Non-Metered Models

Power-Up Mode

Shortly after power is applied to the dryer, the control will flash once to indicate the machine is ready to be used. If a cycle was running previously, the control will blink and then stay lit, indicating there is still time remaining from the previous cycle. If the control was not previously running a cycle, the control will be in Ready Mode.

Ready Mode

In Ready Mode, the control waits for the vend to be satisfied before entering Start Mode.

Start Mode

In Start Mode, the vend has been satisfied, but the Start button has not been pressed. The IN USE LED will be lit. The timer will not count down until the Start button is pressed.

Run Mode

In Run Mode, the control is running a cycle. The IN USE LED is lit.

Door Open Mode

In Door Open Mode, the control turns off the heater and motor when the door is opened during a run cycle. The timer will continue to count down time and the IN USE LED is lit.

End of Cycle Mode

In End of Cycle Mode, a cycle is complete and the IN USE LED is off. The control remains in this mode until the door is opened or additional vend has been satisfied.

Top-Offs (Coin Slide Models)

Any time the control receives a coin slide pulse during a cycle it will add the programmed dry time to the time currently remaining in the cycle. The IN USE LED will flash briefly to indicate the coin input. The maximum cycle time is 99 minutes. The control will not add time beyond 99 minutes. The cool down time will not change. If the control receives a coin slide pulse during cool down it will exit cool down and start heating with the cycle time equal to the programmed time.

Temperature Selector Switch

Drying temperature is selected using the Temperature Selector Switch. Temperature options for cycles are NO HEAT, LOW, MEDIUM and HIGH.

Error Display Mode

The control enters Error Display Mode to display thermistor errors. The heater is turned off, the IN USE LED flashes to indicate the error (refer to paragraphs below), and the timer will continue to count down time. The control remains in Error Display Mode until the control senses the thermistor has returned to an acceptable heating range, the cycle ends or machine is powered down.

Open Thermistor

If the control senses a temperature less than 0°F when the heat has been on for at least three minutes it will set an open thermistor error. The control will flash the IN USE LED twice separated by a one and a half second pause. This sequence is repeated as long as the Open Thermistor error is sensed.

Shorted Thermistor

If the control senses a temperature greater than $210 \pm 4^\circ\text{F}$ during an active cycle it will set a Shorted Thermistor error. The control will flash the IN USE LED three times separated by a one and a half second pause. Unplug dryer or turn circuit breaker off/on to

clear error. This sequence is repeated as long as the Shorted Thermistor error is sensed.

Centrifugal Switch Error

If the control senses that the motor has been engaged for at least three seconds and the centrifugal switch is sensed as open it will set a centrifugal switch error. The control will flash the IN USE LED five times separated by a one and a half second pause. Unplug dryer or turn circuit breaker off/on to clear error. Check for dust or lint in centrifugal switch to reduce future errors.

Setting Dry Time Dipswitches

There are two banks of dipswitches on the dryer control: Dipswitch1 and Dipswitch2. Each bank has eight switches: Dipswitch1 (Switch 1-8) and Dipswitch2 (Switch 1-8). Dipswitch1 configures machine definition. Dipswitch2 configures vended cycle definition. Refer to *Table 8* and *Table 9* for dipswitch options.

NOTE: The control reads the dipswitch settings at power-up. The control must be powered down to change the dipswitch settings.

NOTE: The control must be powered down for 10 seconds before the dipswitch can be changed.

Dipswitch1 Bank

Refer to *Table 8*.

Dipswitch1 Bank		
Switch	OFF	ON
1	120 VAC supply	240 VAC supply
2	Unused	Unused
3	Non-Vended	Vended
4	Unused	Unused
5	Unused	Unused
6	Unused	Unused
7	Unused	Unused
8	Unused	Unused

Table 8

Dipswitch2 Bank

In Dipswitch2 bank, dipswitches 1 - 6 can be used to add dry time per vend. There is always at least one minute of dry time (all switches OFF). Setting one or more dipswitches to ON extends the total dry time per vend by that amount of minutes. The maximum cycle length is 99 minutes. Heat and cooldown time combined can never be longer than 99 minutes. Refer to *Table 9*.

Dipswitch 7 specifies Cool-Down time for vended machines. The Cool-Down time is three minutes when this switch is OFF, and ten minutes when the switch is ON. For non-vended machines, Cool-Down time is determined by the position of the Temperature Selector Switch.

Dipswitch 8 is used for the cycle reset on vended machines. If the switch is OFF (default), the control will save the time left on a cycle in case of a power failure. If the switch is ON, the control will clear the cycle and return to Ready Mode if there is a power failure. On non-vended machines, the control will clear any cycle time and reset to Start Mode, regardless of the positions of these dipswitches.

Dipswitch2 Bank		
Switch	OFF	ON
1	No additional dry time per vend	Plus 1 minute dry time per vend
2	No additional dry time per vend	Plus 2 minute dry time per vend
3	No additional dry time per vend	Plus 4 minute dry time per vend
4	No additional dry time per vend	Plus 8 minute dry time per vend
5	No additional dry time per vend	Plus 16 minute dry time per vend
6	No additional dry time per vend	Plus 32 minute dry time per vend
7	Short Cool-Down time	Long Cool-Down time
8	Save cycle time on long powerfail	Clear cycle time on long powerfail

Table 9

Resetting Cycle Time to Zero

To remove any cycle time that may have accumulated on the control during setup, the cycle time on the control can be reset to zero.

To reset the time, unplug the dryer and set dipswitch 8 to ON position. Restore power to the dryer for 10 seconds and once again

unplug dryer. Set dipswitch 8 to OFF position and restore power to the dryer.

Dipswitch Settings

Heat Time Per Coin Pulse (in minutes)	Heat Switch Number					
	1	2	3	4	5	6
1	OFF	OFF	OFF	OFF	OFF	OFF
2	ON	OFF	OFF	OFF	OFF	OFF
3	OFF	ON	OFF	OFF	OFF	OFF
4	ON	ON	OFF	OFF	OFF	OFF
5	OFF	OFF	ON	OFF	OFF	OFF
6	ON	OFF	ON	OFF	OFF	OFF
7	OFF	ON	ON	OFF	OFF	OFF
8	ON	ON	ON	OFF	OFF	OFF
9	OFF	OFF	OFF	ON	OFF	OFF
10	ON	OFF	OFF	ON	OFF	OFF
11	OFF	ON	OFF	ON	OFF	OFF
12	ON	ON	OFF	ON	OFF	OFF
13	OFF	OFF	ON	ON	OFF	OFF
14	ON	OFF	ON	ON	OFF	OFF
15	OFF	ON	ON	ON	OFF	OFF
16	ON	ON	ON	ON	OFF	OFF
17	OFF	OFF	OFF	OFF	ON	OFF
18	ON	OFF	OFF	OFF	ON	OFF
19	OFF	ON	OFF	OFF	ON	OFF
20	ON	ON	OFF	OFF	ON	OFF
21	OFF	OFF	ON	OFF	ON	OFF
22	ON	OFF	ON	OFF	ON	OFF
23	OFF	ON	ON	OFF	ON	OFF
24	ON	ON	ON	OFF	ON	OFF
25	OFF	OFF	OFF	ON	ON	OFF
26	ON	OFF	OFF	ON	ON	OFF
27	OFF	ON	OFF	ON	ON	OFF

Table 10 *continues...*

Heat Time Per Coin Pulse (in mi- nutes)	Heat Switch Number					
	1	2	3	4	5	6
28	ON	ON	OFF	ON	ON	OFF
29	OFF	OFF	ON	ON	ON	OFF
30	ON	OFF	ON	ON	ON	OFF
31	OFF	ON	ON	ON	ON	OFF
32	ON	ON	ON	ON	ON	OFF
33	OFF	OFF	OFF	OFF	OFF	ON
34	ON	OFF	OFF	OFF	OFF	ON
35	OFF	ON	OFF	OFF	OFF	ON
36	ON	ON	OFF	OFF	OFF	ON
37	OFF	OFF	ON	OFF	OFF	ON
38	ON	OFF	ON	OFF	OFF	ON
39	OFF	ON	ON	OFF	OFF	ON
40	ON	ON	ON	OFF	OFF	ON
41	OFF	OFF	OFF	ON	OFF	ON
42 (preset at fac- tory)	ON	OFF	OFF	ON	OFF	ON
43	OFF	ON	OFF	ON	OFF	ON
44	ON	ON	OFF	ON	OFF	ON
45	OFF	OFF	ON	ON	OFF	ON
46	ON	OFF	ON	ON	OFF	ON
47	OFF	ON	ON	ON	OFF	ON
48	ON	ON	ON	ON	OFF	ON
49	OFF	OFF	OFF	OFF	ON	ON
50	ON	OFF	OFF	OFF	ON	ON
51	OFF	ON	OFF	OFF	ON	ON
52	ON	ON	OFF	OFF	ON	ON
53	OFF	OFF	ON	OFF	ON	ON
54	ON	OFF	ON	OFF	ON	ON
55	OFF	ON	ON	OFF	ON	ON

Table 10 *continues...*

Heat Time Per Coin Pulse (in minutes)	Heat Switch Number					
	1	2	3	4	5	6
56	ON	ON	ON	OFF	ON	ON
57	OFF	OFF	OFF	ON	ON	ON
58	ON	OFF	OFF	ON	ON	ON
59	OFF	ON	OFF	ON	ON	ON
60	ON	ON	OFF	ON	ON	ON
61	OFF	OFF	ON	ON	ON	ON
62	ON	OFF	ON	ON	ON	ON
63	OFF	ON	ON	ON	ON	ON
64	ON	ON	ON	ON	ON	ON

Table 10

Test Setting

When testing coin slide operation or other troubleshooting, set dipswitch with this shorter cycle:

1. Unplug the machine power cord.
2. Record the machine control dipswitch settings. Then set them all to the off position. Refer to *Figure 1*.
3. Plug in the machine and initiate a cycle.

NOTE: With all the control dipswitches off, the total cycle time will be four minutes long.

4. Once all the testing is complete, unplug the machine and reset the dipswitches to their original settings.
5. Plug in the machine.

Slide Extension Assembly

1. Remove slide extension parts from parts accessories bag included in unit.
2. Install extension lever with arm that has one star facing down. Refer to *Figure 28*.

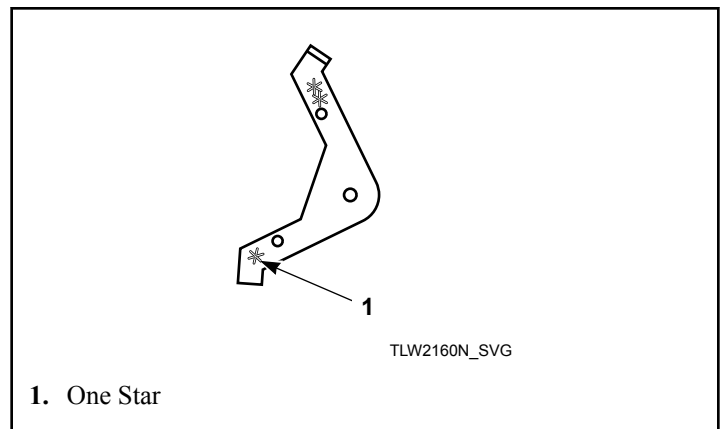


Figure 28

3. Install extension lever with rounded corner facing away from extension bracket using shoulder bolt, flat washer and nut. Refer to *Figure 29*.
4. Install spring to extension bracket with hook facing down. Install other end of spring to extension lever with hook facing left while standing in front of unit. Refer to *Figure 29*.

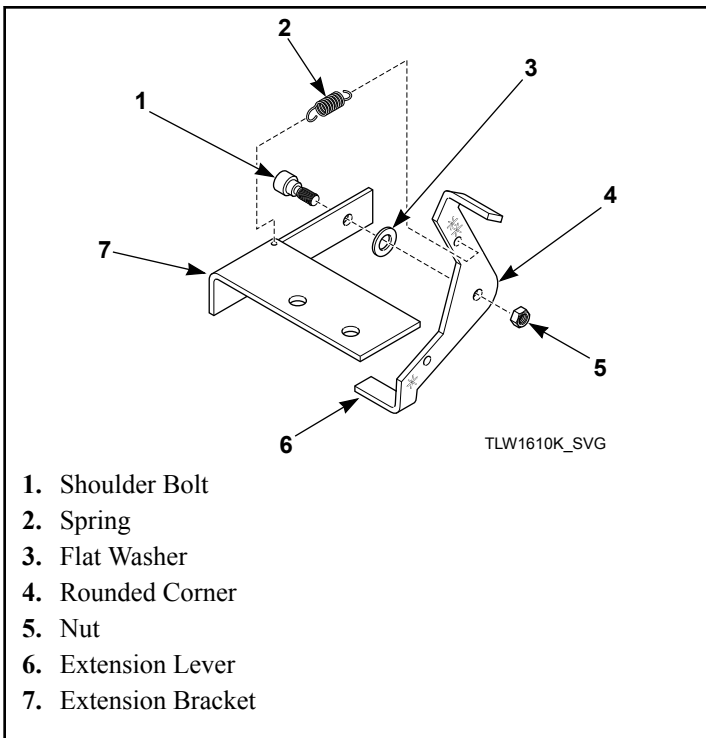


Figure 29

5. Install extension bracket and lever assembly onto coin slide bracket using two screws and locknuts. Refer to *Figure 30* .
IMPORTANT: Install coin slide bracket with side marked "A" facing up and toward extension bracket and lever assembly. Refer to *Figure 30* .

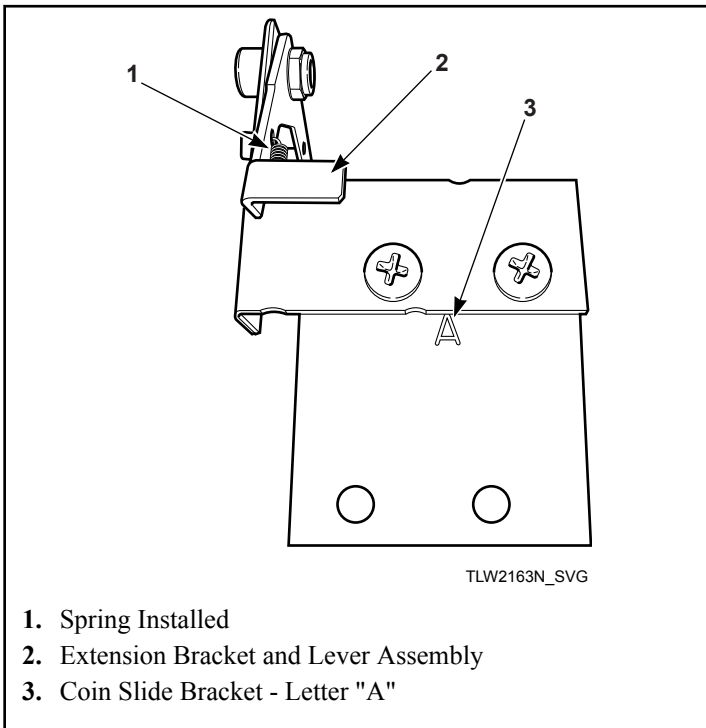


Figure 30

6. Install coin slide extension assembly onto top of coin slide using two remaining screws and lockwashers. Place lockwasher under head of screws, above bracket "A". Refer to *Figure 31* .

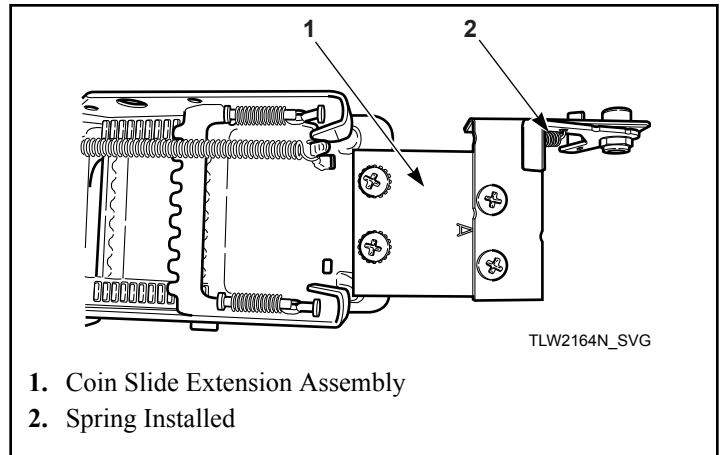


Figure 31

7. Before installing coin slide and extension, make sure ground wire is tucked under control shield to provide clearance for coin slide. Refer to *Figure 32* .

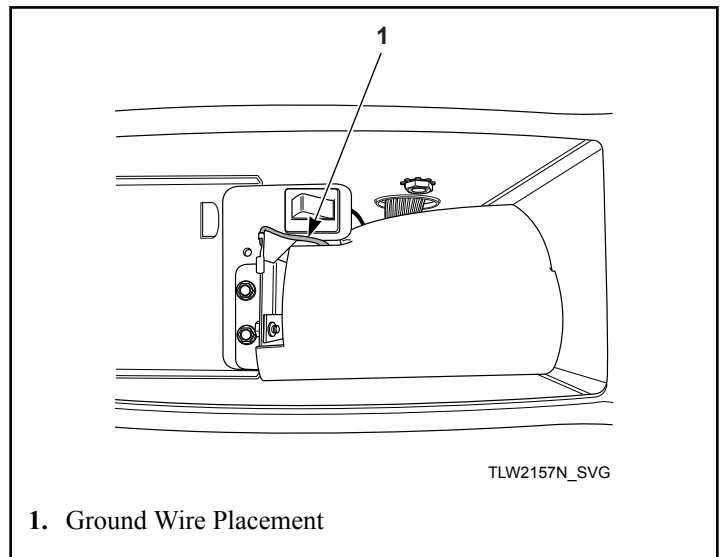


Figure 32

Installing Coin Slide Assembly Into Meter Case: Option One

1. Insert coins and partially extend coin slide.
2. Insert coin slide on its side through meter case opening. Then rotate 90 degrees to its proper orientation.
3. Return coin slide and hook slide pins onto meter case.
4. Continue coin slide installation according to manufacturer's instructions.
5. Check to make sure coin slide is operating properly by inserting coins and starting a cycle. The IN USE light will turn on, or flash if it is already on, to indicate proper operation.

NOTE: To avoid long run-down time (45 minutes factory default) when testing operation, refer to Test Setting section.

*Installing Coin Slide Assembly Into Meter Case:
Option Two*

1. Install coin slide according to manufacturer’s instructions.
2. Insert coins into coin slide and slowly push slide in. Stop before coins fall into coin box. This will allow installing extension through meter case service door opening.
3. Install slide extension onto top of coin slide using two screws. Refer to *Figure 31*.
4. Check to make sure coin slide is operating properly by inserting coins and starting a cycle. The IN USE light will turn on, or flash if it is already on, to indicate proper operation.

NOTE: To avoid long run-down time (45 minutes factory default) when testing operation, refer to Test Setting section.


Additional Security


Located on the service door of meter case models is a flat Phillips head screw. During shipment, this screw is used to attach the service door to the meter case. For additional security, this screw can be reinstalled inside the control hood of your unit. Refer to instructions below for installation.

Tamper-resistant screws also can be installed for additional security. Tamper-resistant screws, bits and bit holder are available as optional equipment at extra cost. Part numbers are:

- Bit (No. 8 screws) Part No. 281P4
- Bit (No. 12 screws) Part No. 282P4
- Control panel tamper-resistant screw Part No. 35528
- Front panel tamper-resistant screw Part No. 35527

The following list is the procedure required to install the Phillips head screw and tamper-resistant screws:

	WARNING
<p>Any disassembly requiring the use of tools must be performed by a suitably qualified service person.</p>	
W299	

	WARNING
<p>To reduce the risk of electric shock, fire, explosion, serious injury or death:</p> <ul style="list-style-type: none"> • Disconnect electric power to the washer before servicing. • Never start the washer with any guards/panels removed. • Whenever earth/ground wires are removed during servicing, these earth/ground wires must be re-connected to ensure that the washer is properly connected to a protective earth/ground. 	
W883	

1. Remove the Phillips head screw from service door (refer to *Figure 33*).
 2. Remove two screws holding control panel to control hood.
 3. Tilt control panel forward and lay on a protective pad to prevent scratching of cabinet top.
 4. Insert Phillips head screw down through double “D” hole in left rear corner of cabinet top (inside control hood) until it engages retainer nut located on left rear corner gusset of cabinet.
 5. Finger tighten screw.
- IMPORTANT: Do not use a power driver to tighten screw. Torque of a power driver could over-tighten screw causing damage to cabinet assembly.**
6. Secure control panel to control hood using two No. 8 tamper-resistant screws, Part No. 35528.
 7. Remove two screws holding access panel to base of dryer and install two No. 12 tamper-resistant screws, Part No. 35527.

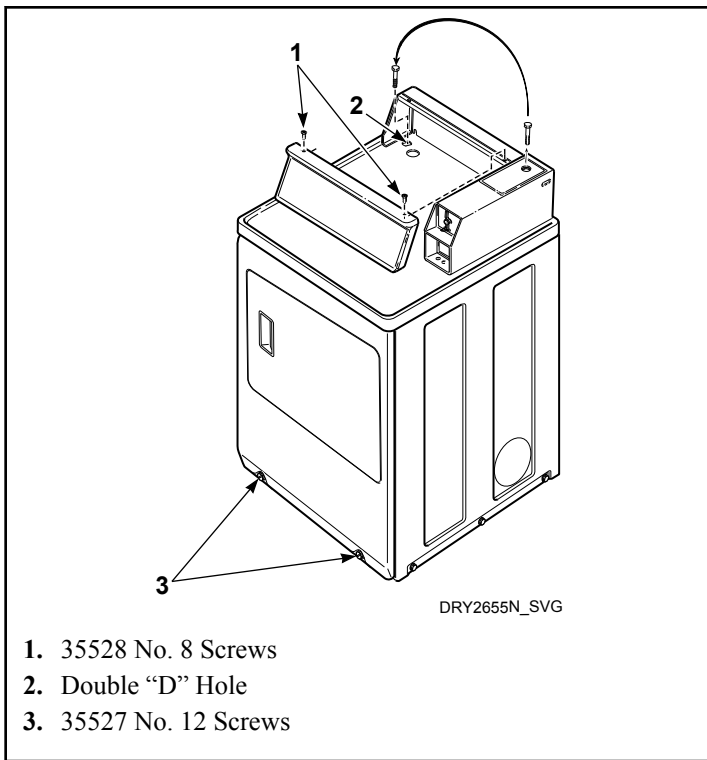


Figure 33

Operation

Operation Instructions for Nonmetered and Coin Slide Dryers

	WARNING
<p>To reduce the risk of fire, electric shock, or injury to persons, read the IMPORTANT SAFETY INSTRUCTIONS before operating this appliance.</p>	
W727	

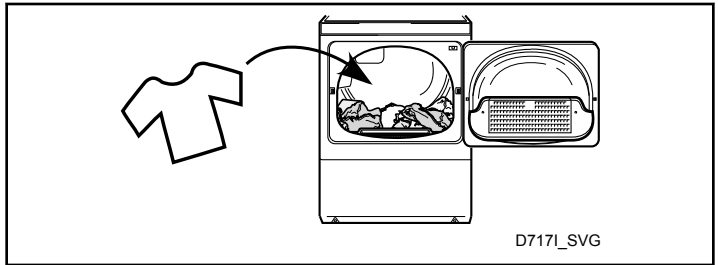


Figure 35

Close Loading Door

1. Close loading door.
2. Dryer will not operate with the door open.

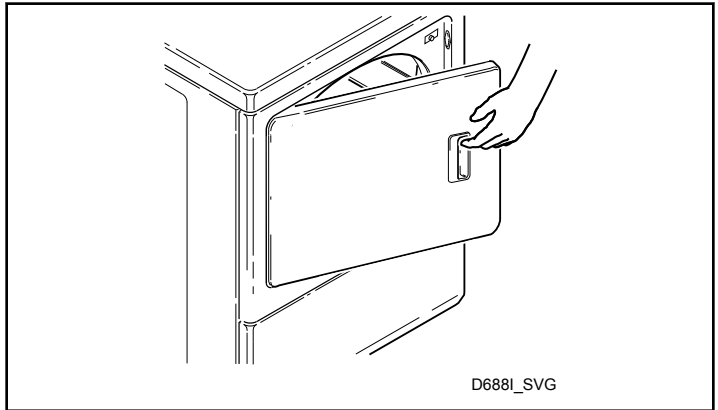


Figure 36

Set Fabric Selector

Select **NORMAL** for cottons, **PERM PRESS** for permanent press, **DELICATE** for sensitive items or **NO HEAT** for items that require no heat.

NOTE: Always follow manufacturer's care labels.

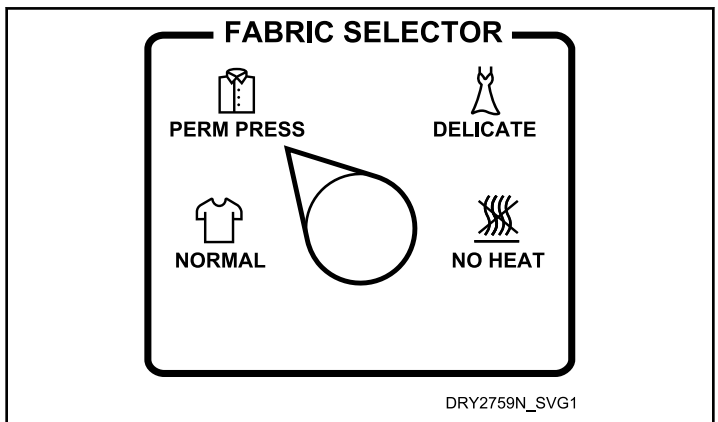


Figure 37

IMPORTANT: Remove all objects from pockets such as lighters and matches.

This appliance shall not be used to dry off solvents or dry cleaning fluids.

IMPORTANT: Before using dryer for the first time, use an all-purpose cleaner, or a detergent and water solution, and a damp cloth to remove shipping dust from inside of dryer drum.

IMPORTANT: Remove all sharp objects from laundry to avoid tears and rips to items during normal machine operation.

Clean Lint Filter

Clean lint filter before each use.

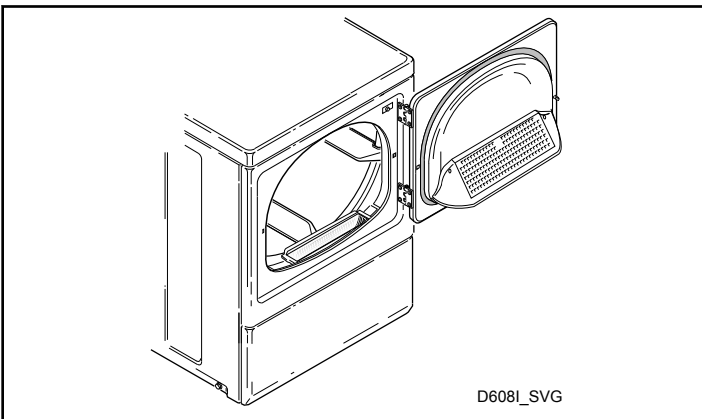


Figure 34

Load Laundry

1. Load clothes loosely into dryer drum (8.2 kg [18.0 pounds] maximum dry clothes load).
2. Add fabric softener sheet if desired.

IMPORTANT: To avoid damage to dryer, do not use more than one fabric softener sheet per load.

Start Dryer

Nonmetered Models

1. Rotate timer knob to desired time setting (up to 60 minutes).
2. Press the PUSH-TO-START button. IN USE light will come on (indicating start of cycle).

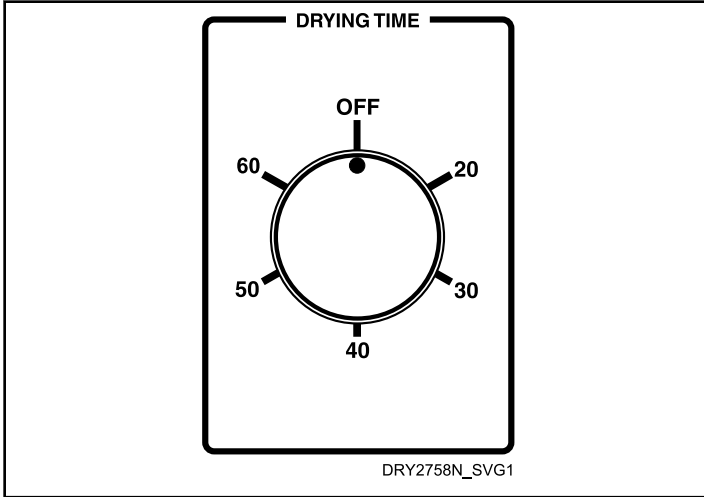


Figure 38

Coin Slide Models

1. Place coin(s) in slide and carefully push in as far as possible and then pull slide out as far as possible.
2. After IN USE light comes on (indicating start of cycle), press the PUSH-TO-START button.

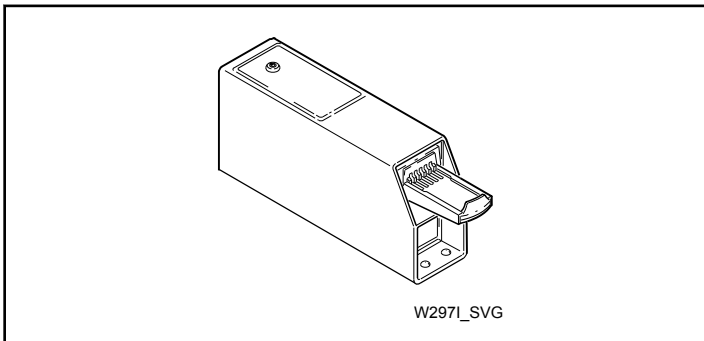


Figure 39

3. Remove knits when slightly damp because overdrying may cause shrinkage. Do not tumble dry knit woolens.

NOTE: This machine includes an extended tumble feature. Starting 20 minutes after a cycle ends, the cylinder will tumble for two minutes every hour without heat, up to 18 hours or until door is opened.

Operation Instructions for MDC Dryers



WARNING

To reduce the risk of fire, electric shock, or injury to persons, read the **IMPORTANT SAFETY INSTRUCTIONS** before operating this appliance.

W727

IMPORTANT: Before using dryer for the first time, use an all-purpose cleaner, or a detergent and water solution, and a damp cloth to remove shipping dust from inside of dryer drum.

IMPORTANT: Remove all sharp objects from laundry to avoid tears and rips to items during normal machine operation.

Clean Lint Filter

Clean lint filter before each use.

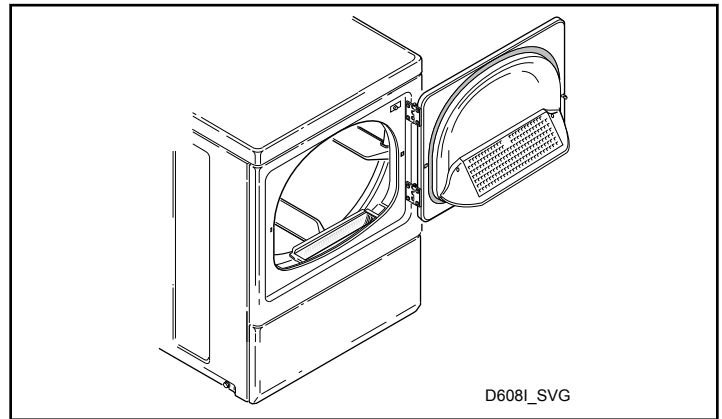


Figure 40

Load Laundry

1. Load clothes loosely into dryer drum (8.2 kg [18.0 pounds] maximum dry clothes load).
2. Add fabric softener sheet if desired.

IMPORTANT: To avoid damage to dryer, do not use more than one fabric softener sheet per load.

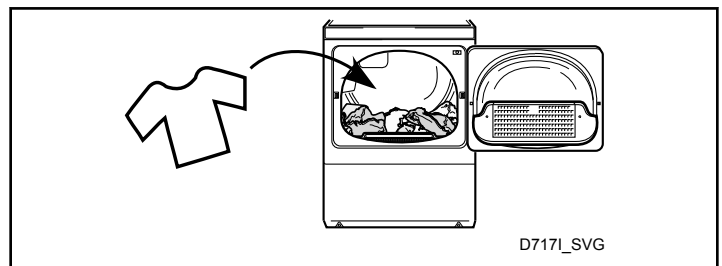


Figure 41

Close Loading Door

1. Close loading door.
2. Dryer will not operate with the door open.

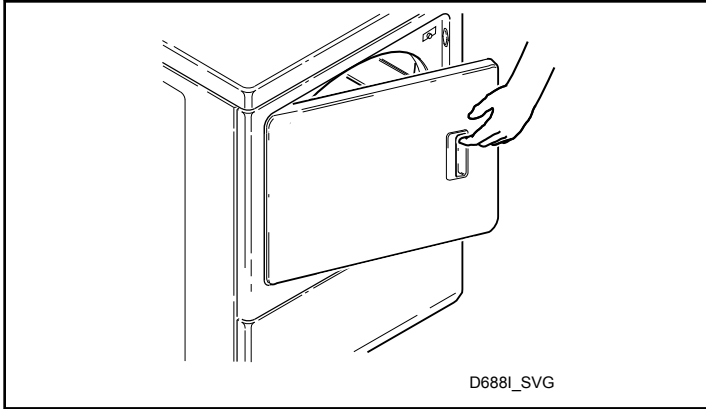


Figure 42

Set Fabric Selector

Select HIGH TEMP, MED TEMP, LOW TEMP or DELICATES by pushing touchpad.

NOTE: Always follow manufacturer's care labels.

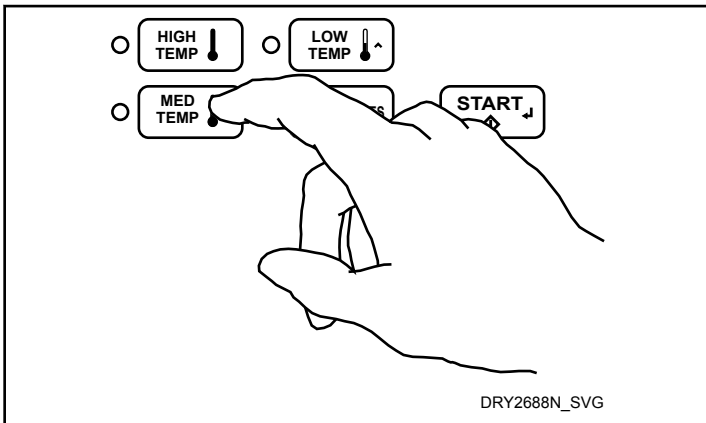


Figure 43

Insert Coins or Card

To Insert Coins

1. Insert coin(s) in coin slot.
2. Check pricing as seen on digital display.

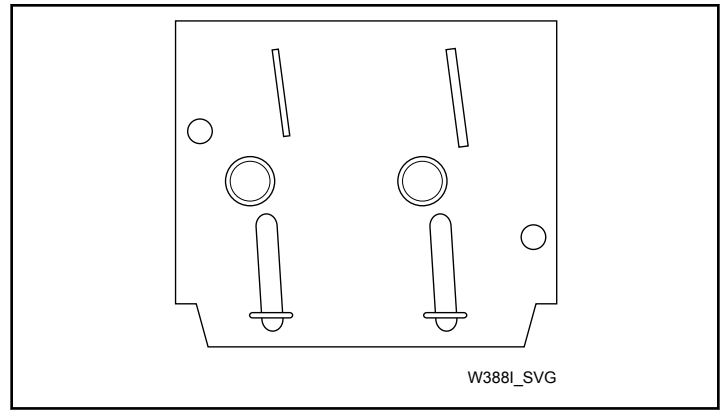


Figure 44

To Insert Card

Insert card into opening.

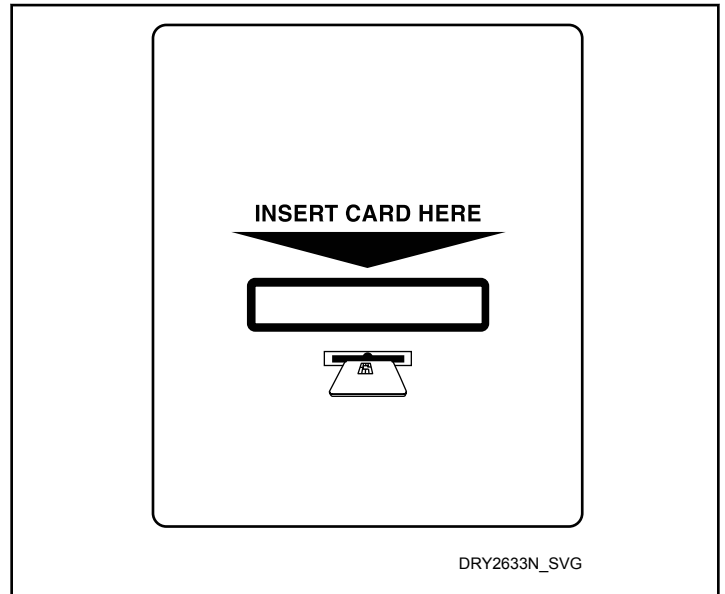


Figure 45

Start Dryer

1. To start dryer, push START pad.
2. To stop dryer at any time, open the door.
3. To restart the dryer, close door and push START pad. Cycle is completed when time remaining reaches 00 minutes.

If Additional Time Feature is turned on, additional dryer time may be purchased at cycle start or while dryer is running.

Remove knits when slightly damp because overdrying may cause shrinkage. Do not tumble dry knit woolens.

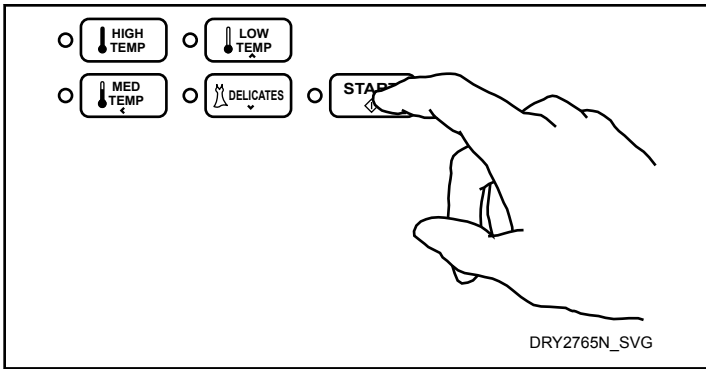


Figure 46

IMPORTANT: The final part of dryer cycle occurs without heat (cool down cycle) to ensure that items in dryer are left at a temperature that ensures that the items will not be damaged.

	WARNING
<p>To prevent the risk of fire, never stop a dryer before the end of the drying cycle unless all items are quickly removed and spread out so that the heat is dissipated.</p>	
W756	

Indicator Lights


START	START is lit whenever the dryer is not in a cycle, the full vend price has been satisfied and the dryer door is closed. When the START pad is pressed, the cycle will begin or resume.
DRYING	DRYING is lit to indicate that one of the heated cycles (HIGH TEMP, MED TEMP, LOW TEMP or DELICATES) is currently in operation. DRYING will turn off at the end of a heated cycle or when the COOL DOWN cycle begins.
COOL DOWN	COOL DOWN is lit whenever the COOL DOWN portion of a heated cycle is active.

Maintenance

Lubrication

All moving parts are sealed in a permanent supply of lubricant or are equipped with oilless bearings. Additional lubrication will not be necessary.

Care of Your Dryer

	WARNING
<p>To reduce the risk of an electric shock, serious injury or death, disconnect the electrical service to the dryer before cleaning the interior.</p>	
W132	

Dryer Interior

Wipe the surfaces using a soft cloth and household cleaner or a non-abrasive paste of powdered laundry detergent and hot water, followed by a short heat cycle with a load of rags.

To remove crayon or ball point ink off the dryer drum, put the heat on high and use old rags in the dryer to absorb the crayon or ink. If unsuccessful, contact the appliance dealer. **DO NOT** use any chemicals in the dryer.

IMPORTANT: The use of chlorine bleach for removing any discolorations should be avoided because bleach could damage the finish.


Cabinet


Wipe the dryer cabinet as needed. If detergent, bleach or other washing products have been spilled on the dryer, wipe immediately. Some products will cause permanent damage if spilled on the cabinet.

Control Panel

Use only a damp or sudsy cloth for cleaning the control panel. Some spray pretreat products may harm the finish on the control panel. **DO NOT** use products that contain alcohol on the control panel.

Exhaust System

	WARNING
<p>To reduce the risk of electric shock, disconnect the electrical service to the dryer before cleaning.</p>	
W043	

	WARNING
<p>Any disassembly requiring the use of tools must be performed by a suitably qualified service person.</p>	
W299	

The exhaust duct should be inspected after one year of use and cleaned if necessary by a qualified service person to remove any lint build-up. Inspect and clean exhaust duct every one to two years as required thereafter.

NOTE: This recommended maintenance is not covered under the terms of the warranty.

The weather hood should be checked frequently to make sure the dampers move freely, dampers are not pushed in and that nothing has been set against them.

Keep dryer area clear and free from combustible materials, gasoline and other flammable vapors and liquids.

Do not obstruct the flow of combustion and ventilation air.

NOTE: Verify proper operation after servicing.

Lint Filter

CLEAN THE LINT FILTER BEFORE DRYING EACH LOAD. (Refer to *Figure 47* for lint filter location.) Cleaning the lint filter is important because a layer or pad of lint on the filter will block the flow of air through the dryer, thus reducing the efficiency of the dryer. The clothes will take longer to dry and energy will be wasted.

The lint filter may be washed if needed. Annually remove lint filter and screw to vacuum the duct under it.

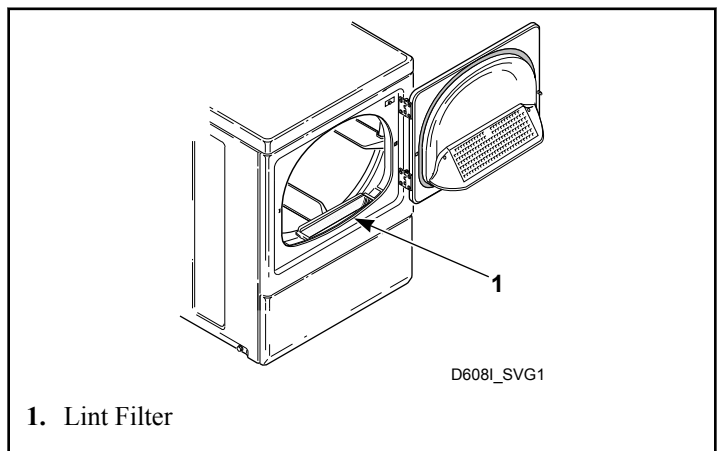


Figure 47

Motor Overload Protector

The dryer's motor overload protector stops the motor automatically in the event of an overload. After cooling, the overload protector will reset itself. Dryer can be restarted by pressing the PUSH-TO-START button or START pad. If overload protector cycles again, remove the dryer from use and call the service person to correct the problem.

For Energy Conservation

- Make sure the lint filter is always clean.
- Do not overload dryer.
- Do not overdry clothes.
- Remove items to be ironed while still damp.
- Large loads of similar fabrics dry the most efficiently. However, dry permanent press in smaller loads to prevent wrinkling.
- Use the correct temperature FABRIC SELECTOR setting for the type of fabric being dried.
- Locate your dryer so the exhaust duct is as short and straight as possible.
- Do not open the door during the drying cycle.
- Plan to do your laundry on low humidity days; your clothes will dry faster.
- Should you plan to dry several loads, do them one after another, then you do not have to reheat the dryer unit's interior parts each time.

Troubleshooting

Try these troubleshooting tips before making a service call. They may save you time and money.

Dryer Symptom	Possible Cause/Solution
Dryer won't start	<ul style="list-style-type: none"> • Nonmetered models - Turn timer knob further into cycle. • Metered models - Insert coin(s). • Metered models - Activate timer. Push coin slide all the way in. • Insert coin(s) or card, if required. • For dryers equipped with a power cord, make sure the power cord is plugged all the way into the electrical outlet. • Make sure loading door is closed. • Press START pad. • Make sure the laundry room fuse(s) isn't blown or loose, or circuit breakers aren't open. • The dryer itself does not have an electrical fuse. An electric dryer has an electrical circuit with two fuses. • Check if motor overload protector has cycled. Wait 10 minutes and try again.
Dryer won't heat	<ul style="list-style-type: none"> • Nonmetered models - Turn timer knob further into cycle. • Metered models - Activate timer. Push coin slide all the way in. • Make sure the laundry room fuse(s) isn't blown or loose, or circuit breakers aren't open. • Make sure controls are in a HEAT setting. • Gas dryer only – Make sure equipment and main gas line valve is turned on. • Check exhaust duct to outside to see if it is kinked, blocked or needs cleaning. • Check weather hood to make sure flapper moves freely, has not been pushed in or has not been blocked.
Dryer doesn't dry clothes satisfactorily	<ul style="list-style-type: none"> • Check exhaust duct to outside to see if it is kinked, blocked or needs cleaning. • Check weather hood to make sure flapper moves freely, has not been pushed in or has not been blocked. • Clean the lint filter. • Make sure the load isn't too small. Small loads may not tumble properly or dry evenly. • Check load being dried. Heavy items dried with lightweight items will not dry as quickly as the rest of the load.

Table continues...

Dryer Symptom	Possible Cause/Solution
Dryer is noisy	<ul style="list-style-type: none"> • Check dryer for foreign objects (nails, coins, bobby pins, metal, plastic toys, etc.). Remove items from dryer. • Make sure dryer is level. Uneven leveling can cause vibration. • Normal operating sounds include the tick of timer advancing, heat source going on and off, and humming of air moving through the dryer and exhaust system. • Normal operating sounds include the heat source going on and off and the humming of air moving through the dryer and exhaust system.
Clothes are too wrinkled	<ul style="list-style-type: none"> • Check heat setting. Overdrying can cause wrinkling. • Check load size. Large loads may not tumble properly and may cause wrinkling.
Clothes have odor	<ul style="list-style-type: none"> • Check room for odors before drying clothes. Any odor (fried foods, paint, varnish, cleaners, burning wood, etc.) will transfer to clothing as the dryer draws air from the room. • Ventilate room before drying clothes.

Contact Information

If service is required, contact the nearest Factory Authorized Service Center.


If you are unable to locate an authorized service center or are unsatisfied with the service performed on your unit, contact:

Alliance Laundry Systems
Shepard Street
P.O. Box 990
Ripon, WI 54971-0990
U.S.A.
www.alliancelaundry.com
Phone: +1 (920) 748-3121

When calling or writing about your unit, PLEASE GIVE THE MODEL AND SERIAL NUMBERS. The model and serial numbers are located on the serial plate. The serial plate will be in the location shown in *Figure 48*.

Model Number	
Serial Number	

Please include a copy of your bill of sale and any service receipts you have.

	WARNING
<p>To reduce the risk of serious injury or death, DO NOT repair or replace any part of the unit or attempt any servicing unless specifically recommended in the user-maintenance instructions or in published user-repair instructions that you understand and have the skills to carry out.</p>	
W329	

Date Purchased	
----------------	--

Table continues...

If replacement parts are required, contact the source from where you purchased your unit or call +1 (920) 748-3950 for the name and address of the nearest authorized parts distributor.

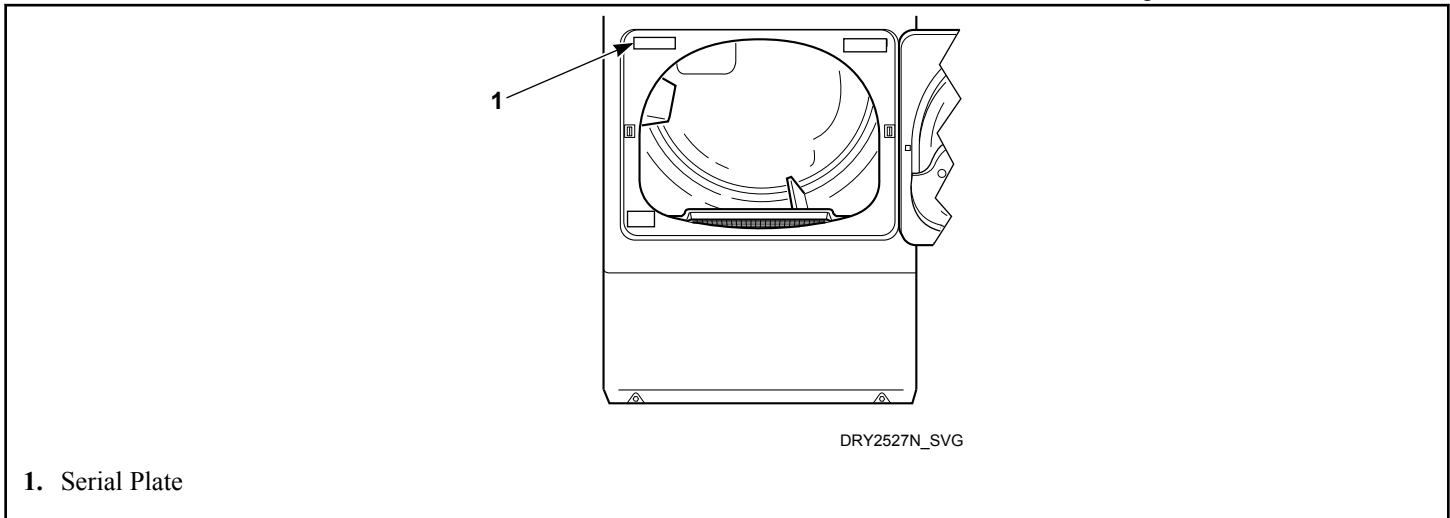
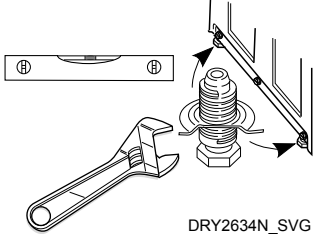
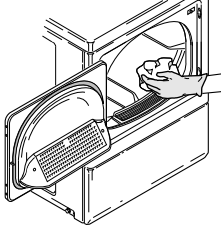
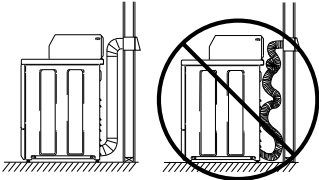
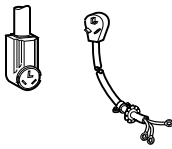
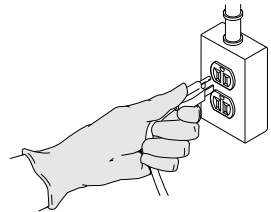
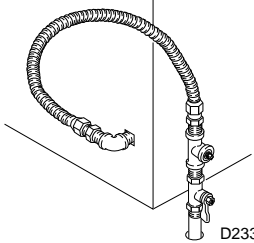
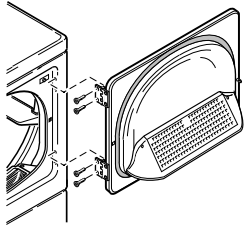


Figure 48

Installer Checklist

Fast Track for Installing the Dryer

1	Position and Level the Dryer.	 <p>DRY2634N_SVG</p>	5	Wipe Out Inside of Dryer.	 <p>DRY2767N_SVG1</p>
	CHECK			CHECK	
2	Connect Dryer Exhaust System.	 <p>DRY2650N_SVG1</p>	6	Plug In the Dryer.	<p>Electric</p>  <p>D2751_SVG1</p> <p>Gas</p>  <p>TLW2289N_SVG</p>
	CHECK			CHECK	
3	<p>GAS ONLY</p> <ul style="list-style-type: none"> • Connect Gas Supply Pipe. • Check for Gas Leaks. 	 <p>D2331_SVG1</p>	7	Recheck Steps.	
	CHECK			CHECK	
4	Reverse Door, if Desired.	 <p>D675L_SVG1</p>	8	Start and Run Dryer in Heat Setting to Verify Dryer is Heating.	
	CHECK			CHECK	

Refer to the manual for more detailed information